

91-418* (revised 11/04)

Please direct questions regarding this form to one of the following:

East: 732-390-8480 (NJ)
 West: 503-434-5964 (OR)
 E-mail: info@coilhose.com

HEAVY DUTY REGULATOR

Installation Instructions, Operating Instructions and Parts List

Application:

The Heavy Duty Series Regulator is designed to provide lasting service and superior performance in today's demanding industrial environment. A wide variety of options and accessories make this regulator adaptable to any application.

Options and Accessories:

Options*:	Suffix
Gauge	G
Low Pressure Spring (0 - 50 PSI)	L
High Pressure Spring (0 - 200 PSI)	H
Tamperproof	K
Panel Mount	P

*Add a dash followed by the suffix(es) in alphabetical order to the model number.

Accessories:	Model No.
Recommended Standard Pressure Gauge (0 - 160 PSI with 2" dial)8800-160
Recommended Low Pressure Gauge (0 - 60 PSI with 2" dial)8800-60
Recommended High Pressure Gauge (0 - 300 PSI with 2" dial)8800-300
Regulator Mounting Brackets	
1/4" - 3/8"8800-12RB
1/2"8800-14RB
3/4" - 1"8800-16RB
Wall Mount Pipe Brackets	
1/4" - 3/8"8800-22RB
1/2"8800-24RB
3/4" - 1"8800-26RB



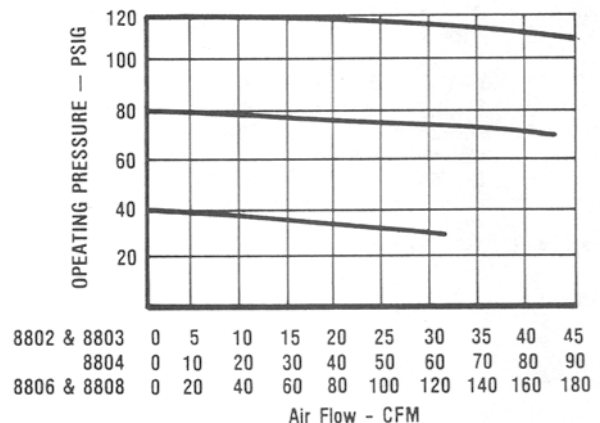
Port Size	Model Number
1/4"8802
3/8"8803
1/2"8804
3/4"8806
1"8808

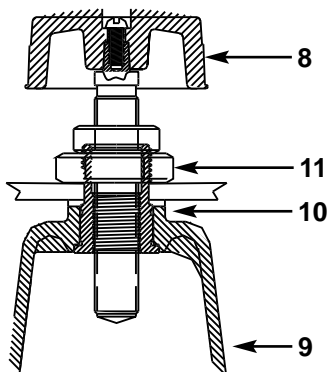
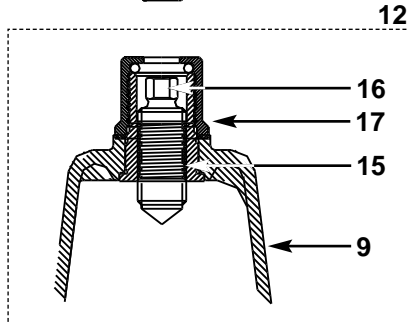
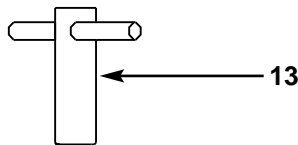
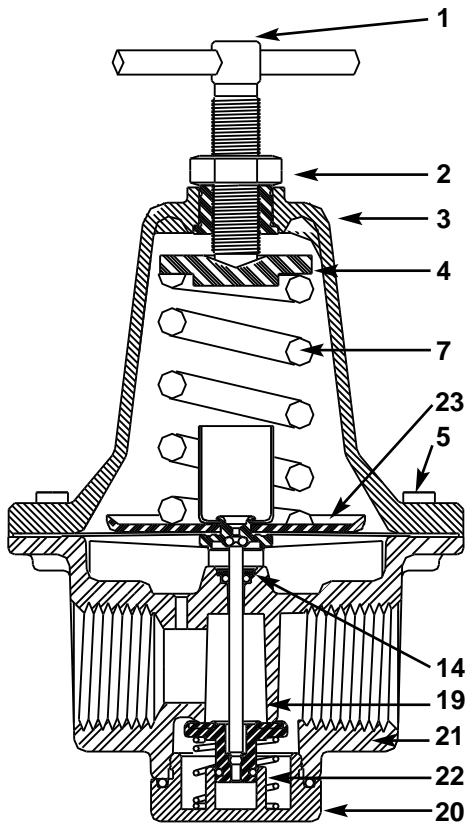
Technical Data:

Maximum Supply Pressure: 250 PSI
Maximum Operating Temperature: 250° F
Pressure Range:
 Standard..... 0 - 125 PSI
 Option..... 0 - 50 PSI
 Option..... 0 - 200 PSI
Material: Die cast aluminum
Dimensions and Weights:

	1/4" and 3/8"	1/2"	3/4" and 1"
Height5 1/2"	7"	.8 1/2"
Width3"	.4"	.5"
Weight3/4 lb.	1 1/2" lb.	.3 lbs.

Filter Performance Data:





Pressure Adjustment:

Turning the adjustment screw in a clockwise direction will increase the pressure setting; turning in a counterclockwise direction will decrease the pressure setting.

The downstream pressure should always be adjusted to approximately 10 PSI above the required working pressure, even in the event of pressure fluctuations. It is advisable to adjust the setting under constant pressure conditions (unit should not be operating) since a changing flow rate affects the set value.

To avoid readjustment after making a change in pressure setting, we recommend approaching the required setting from a lower pressure. When adjusting from a higher to a lower setting, reduce the pressure to a point below what is required, then adjust upward to the required setting.

Once the desired operating pressure has been reached, the adjusting screw lock nut should be tightened to maintain the proper setting.

Cleaning and Maintenance:

A clean supply of air to the regulator will assure long periods of uninterrupted service. Dirt in the stem and disc assembly will lead to erratic operation or loss of regulation. When cleaning becomes necessary, the air line should be shut off and depressurized. The regulator should be disassembled using the parts drawing on this page as a guide. All assembly parts should be cleaned with nothing stronger than mild household detergent and the regulator body should be blown out with compressed air.

For proper reassembly, the seat disc must be firmly in place and the poppet stem must fit into the center hole of the diaphragm assembly.

Components:

Item No.	Description	1/4" (8802)	3/8" (8803)	1/2" (8804)	3/4" (8806)	1" (8808)
1	Adj. Screw Ass'y (Std.)	8804J-12	8804J-12	8804J-12	8806J-12	8806J-12
2	Lock Nut	1484-20	1484-20	1484-20	1488-20	1488-20
3	Bonnet Ass'y (Std.)	8803-2	8803-2	8804-2	8806-2	8806-2
4	Spring Button	1483J-5	1483J-5	1484J-5	1488-5	1488-5
5	Screws	8803-23	8803-23	8804-23	8806-23	8806-23
6	Gauge Plug (not shown)	PI004S	PI004S	PI004S	PI004S	PI004S
7	Adj. Spring (5-125)	1483-7	1483-7	1484-7	1488-7	1488-7
7	Adj. Spring (1-50)	1483L-7	1483L-7	1484L-7	1488L-7	1488L-7
7	Adj. Spring (100-200)	1483S-7	1483S-7	1484S-7	1488S-7	1488S-7
8	Adj. Screw Ass'y (Panel)	8804P-12	8804P-12	8804P-12	8806P-12	8806P-12
9	Bonnet Ass'y (Panel)	8803P-2	8803P-2	8804P-2	8806P-2	8806P-2
10	Washer (Panel)	1484P-31	1484P-31	1484P-31	1488P-31	1488P-31
11	Nut (Panel)	8804P-3	8804P-3	8804P-3	1488-32	1488-32
12	Tamperproof Bonnet Ass'y	N/A	N/A	J8804-2	N/A	N/A
13	Tamperproof Adj. Key	8804-5	8804-5	8804-5	8804-5	8804-5
14	O-Ring	8803-7	8803-7	8803-7	8803-7	8803-7
15	Adj. Screw (Tamperproof)	J8804-4	J8804-4	J8804-4	J8806-4	J8806-4
16	O-Ring	7193-1	7193-1	7193-1	7193-1	7193-1
17	Cap (Tamperproof)	J8804-3	J8804-3	J8804-3	J8806-3	J8806-3
18	Guide (not shown)	N/A	N/A	N/A	8600A-18	8600A-18
19	Stem, Seat, Retainer Ass'y	8803-56	8803-56	8804-56	8806-56	8806-56
20	Back Cap	8803-3	8803-3	8804-3	8806-3	8806-3
21	Back Cap O-Ring	8803-21	8803-21	8804-21	8806-21	8806-21
22	Back Cap Spring	8804-18	8804-18	8804-18	8806-18	8806-18
23	Diaphragm Ass'y	1483-59A	1483-59A	1484-59A	1488-59A	1488-59A

Rebuilding Kit:

The Regulator Repair Kit includes items 19, 20, 21, 22, and 23. Use Model No. **8800-53** for the 1/4" and 3/8"; **8800-54** for the 1/2"; and **8800-56** for the 3/4" and 1".

We reserve the right to make engineering changes in design or materials without notification.