

*If you have questions or comments, contact us.
Pour toute question ou tout commentaire, nous contacter.
Si tiene dudas o comentarios, contáctenos.*

1-800-4-DEWALT • www.dewalt.com

**INSTRUCTION MANUAL
GUIDE D'UTILISATION
MANUAL DE INSTRUCCIONES**

INSTRUCTIVO DE OPERACIÓN, CENTROS DE SERVICIO Y PÓLIZA DE GARANTÍA. **ADVERTENCIA:** LÉASE ESTE INSTRUCTIVO ANTES DE USAR EL PRODUCTO.

DEWALT®

DW756

6" (152 mm) Heavy-Duty Bench Grinder, Meuleuse d'établi de 152 mm (6 po) de service intensif, Esmeriladora de banco de 152 mm (6")

DW758

8" (200 mm) Heavy-Duty Bench Grinder, Meuleuse d'établi de 200 mm (8 po) de service intensif, Esmeriladora de banco de 200 mm (8") para trabajo pesado



Definitions: Safety Guidelines

The definitions below describe the level of severity for each signal word. Please read the manual and pay attention to these symbols.

▲ DANGER: Indicates an imminently hazardous situation which, if not avoided, **will** result in **death or serious injury**.

▲ WARNING: Indicates a potentially hazardous situation which, if not avoided, **could** result in **death or serious injury**.

▲ CAUTION: Indicates a potentially hazardous situation which, if not avoided, **may** result in **minor or moderate injury**.

NOTICE: Indicates a practice **not related to personal injury** which, if not avoided, **may** result in **property damage**.

IF YOU HAVE ANY QUESTIONS OR COMMENTS ABOUT THIS OR ANY DEWALT TOOL, CALL US TOLL FREE AT: **1-800-4-DEWALT (1-800-433-9258)**.



WARNING: To reduce the risk of injury, read the instruction manual.

Important Safety Instructions



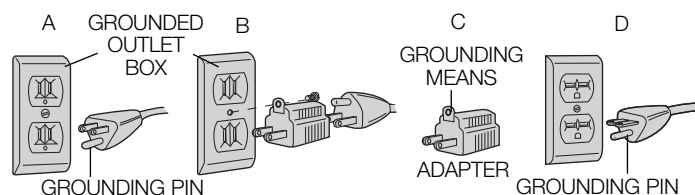
WARNING! Read all safety warnings and all instructions. Failure to follow the warnings and instructions may result in electric shock, fire and/or serious injury.

READ ALL INSTRUCTIONS

Grounding Instructions

This tool should be grounded while in use to protect the operator from electric shock. The tool is equipped with a 3-conductor cord

and 3-prong grounding type plug to fit the proper grounding type receptacle. The green (or green and yellow) conductor in the cord is the grounding wire. Never connect the green (or green and yellow) wire to a live terminal. If your unit is intended for use on less than 150 V, it has a plug that looks like that shown in sketch A. If it is for use on 150 to 250 V, it has a plug that looks like that shown in sketch D. An adapter, sketches B and C, is available for connecting sketch A type plugs to 2-prong receptacles. The green-colored rigid ear, lug, or the like, extending from the adapter must be connected to a permanent ground, such as a properly grounded outlet box. No adapter is available for a plug as shown in sketch D. ADAPTER SHOWN IN FIGURES B and C IS NOT FOR USE IN CANADA.



Safety Instructions For All Tools

- **KEEP WORK AREA CLEAN.** Cluttered areas and benches invite injuries.
- **CONSIDER WORK AREA ENVIRONMENT.** Don't expose power tools to rain. Don't use power tools in damp or wet locations. Keep work area well lit. Do not use tool in presence of flammable liquids or gases.
- **GUARD AGAINST ELECTRIC SHOCK.** Prevent body contact with grounded surfaces. For example; pipes, radiators, ranges, and refrigerator enclosures.

- **KEEP CHILDREN AWAY.** Do not let visitors contact tool or extension cord. All visitors should be kept away from work area.
- **STORE IDLE TOOLS.** When not in use, tools should be stored in dry, and high or locked-up place — out of reach of children.
- **DON'T FORCE TOOL.** It will do the job better and safer at the rate for which it was intended.
- **USE RIGHT TOOL.** Don't force small tool or attachment to do the job of a heavy-duty tool. Don't use tool for purpose not intended.
- **DRESS PROPERLY.** Do not wear loose clothing or jewelry. They can be caught in moving parts. Rubber gloves and non-skid footwear are recommended when working outdoors. Wear protective hair covering to contain long hair.
- **USE SAFETY GLASSES.** Also use face or dust mask if operation is dusty.
- **DON'T ABUSE CORD.** Never carry tool by cord or yank it to disconnect from receptacle. Keep cord from heat, oil, and sharp edges.
- **SECURE WORK.** Use clamps or a vise to hold work. It's safer than using your hand and it frees both hands to operate tool.
- **DON'T OVERREACH.** Keep proper footing and balance at all times.
- **MAINTAIN TOOLS WITH CARE.** Keep tools sharp and clean for better and safer performance. Follow instructions for lubricating and changing accessories. Inspect tool cords periodically and if damaged, have repaired by authorized service facility. Inspect extension cords periodically and replace if damaged. Keep handles dry, clean, and free from oil and grease.
- **DISCONNECT OR LOCK OFF TOOLS** when not in use, before servicing, and when changing accessories, such as blades, bits, cutters.
- **REMOVE ADJUSTING KEYS AND WRENCHES.** Form habit of checking to see that keys and adjusting wrenches are removed from tool before turning it on.

- **AVOID UNINTENTIONAL STARTING.** Don't carry tool with finger on switch. Be sure switch is off when plugging in.
- **EXTENSION CORDS.** Use only 3-wire extension cords that have 3-prong grounding-type plugs and 3-pole receptacles that accept the tool's plug. Replace or repair damaged cords. Make sure your extension cord is in good condition. When using an extension cord, be sure to use one heavy enough to carry the current your product will draw. An undersized cord will cause a drop in line voltage resulting in loss of power and overheating. The following table shows the correct size to use depending on cord length and nameplate ampere rating. If in doubt, use the next heavier gage. The smaller the gage number, the heavier the cord.

Minimum Gauge for Cord Sets						
Ampere Rating		Volts	Total Length of Cord in Feet (meters)			
		120V	25 (7.6)	50 (15.2)	100 (30.5)	150 (45.7)
		240V	50 (15.2)	100 (30.5)	200 (61.0)	300 (91.4)
More Than	Not More Than	AWG				
0	6		18	16	16	14
6	10		18	16	14	12
10	12		16	16	14	12
12	16		14	12	Not Recommended	

- **OUTDOOR USE EXTENSION CORDS.** When tool is used outdoors, use only extension cords intended for use outdoors and so marked.
- **STAY ALERT.** Watch what you are doing. Use common sense. Do not operate tool when you are tired.
- **CHECK DAMAGED PARTS.** Before further use of the tool, a guard or other part that is damaged should be carefully checked to determine that it will operate properly and perform its intended

function. Check for alignment of moving parts, binding of moving parts, breakage of parts, mounting, and any other conditions that may affect its operation. A guard or other part that is damaged should be properly repaired or replaced by an authorized service center unless otherwise indicated elsewhere in this instruction manual. Have defective switches replaced by authorized service center. Do not use tool if switch does not turn it on and off.

- **KEEP GUARDS IN PLACE** and in working order.
- **USE RECOMMENDED ACCESSORIES.** Consult the owner's manual for recommended accessories. The use of improper accessories may cause risk of injury to persons.
- **NEVER STAND ON TOOL.** Serious injury could occur if the tool is tipped or if the cutting tool is unintentionally contacted.

Additional Safety Instructions for Grinders

- **ALWAYS USE GUARDS AND EYE SHIELDS. WHEN GRINDING, ALWAYS KEEP GUARDS IN PLACE.**
- Use only grinding wheels having a maximum operating speed at least as high as the "No Load RPM" marked on the tool's nameplate. Use only grinding wheels suitable for the speed of the grinder.
- Use only flanges furnished with the grinder.
- Adjust distance between wheel and work rest to maintain 1/8" (3.18 mm) or less separation as the diameter of the wheel decreases with use.
- Before using, inspect recommended accessory for cracks or flaws. If such a crack or flaw is evident, discard the accessory. **DO NOT USE A GRINDING WHEEL THAT IS CRACKED OR FLAWED IN ANY WAY.**
- When starting the tool, let it run for one minute. Never start the tool with a person in line with the wheel. This includes the operator.

- Do not grind on the sides of grinding wheels unless they are specifically designed for that purpose.
- Do not overtighten the hex nut. This may crack the grinding wheel.
- Clean the cavity around the grinding wheel periodically.

▲ WARNING: ALWAYS use safety glasses. Everyday eyeglasses are NOT safety glasses. Also use face or dust mask if cutting operation is dusty. **ALWAYS WEAR CERTIFIED SAFETY EQUIPMENT:**

- ANSI Z87.1 eye protection (CAN/CSA Z94.3),
- ANSI S12.6 (S3.19) hearing protection,
- NIOSH/OSHA/MSHA respiratory protection.

▲ WARNING: Some dust created by power sanding, sawing, grinding, drilling, and other construction activities contains chemicals known to the State of California to cause cancer, birth defects or other reproductive harm. Some examples of these chemicals are:

- lead from lead-based paints,
- crystalline silica from bricks and cement and other masonry products, and
- arsenic and chromium from chemically-treated lumber.

Your risk from these exposures varies, depending on how often you do this type of work. To reduce your exposure to these chemicals: work in a well ventilated area, and work with approved safety equipment, such as those dust masks that are specially designed to filter out microscopic particles.

- **Avoid prolonged contact with dust from power sanding, sawing, grinding, drilling, and other construction activities. Wear protective clothing and wash exposed areas with soap and water.** Allowing dust to get into your mouth, eyes, or lay on the skin may promote absorption of harmful chemicals.

▲ WARNING: Use of this tool can generate and/or disperse dust, which may cause serious and permanent respiratory or other

injury. Always use NIOSH/OSHA approved respiratory protection appropriate for the dust exposure. Direct particles away from face and body.

⚠WARNING: Always wear proper personal hearing protection that conforms to ANSI S12.6 (S3.19) during use. Under some conditions and duration of use, noise from this product may contribute to hearing loss.

• The label on your tool may include the following symbols. The symbols and their definitions are as follows:

V.....volts	A.....amperes
Hz.....hertz	W.....watts
minminutes	~ or AC.....alternating current
=== or DC...direct current	⎓ or AC/DC...alternating or direct current
Ⓜ.....Class I Construction (grounded)	Ⓜ.....Class II Construction (double insulated)
.../minper minute	n _ono load speed
BPM.....beats per minute	n.....rated speed
IPM.....impacts per minute	Ⓧ.....earthing terminal
RPM.....revolutions per minute	⚠.....safety alert symbol
sfp/minute	
SPM.....strokes per minute	

SAVE THESE INSTRUCTIONS FOR FUTURE USE

Motor

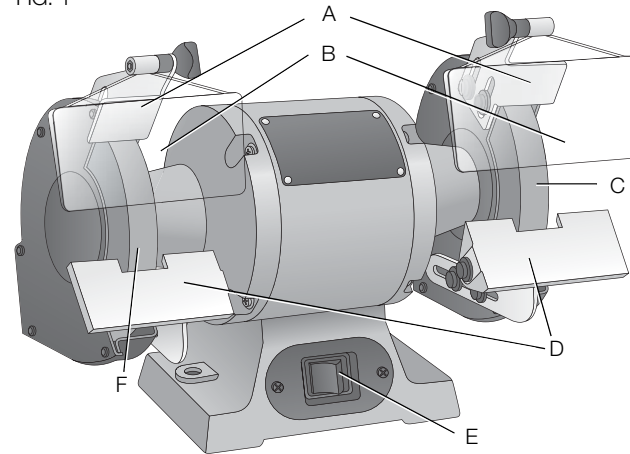
Be sure your power supply agrees with the nameplate marking. Voltage decrease of more than 10% will cause loss of power and overheating. DEWALT tools are factory tested; if this tool does not operate, check power supply.

COMPONENTS (Fig. 1)

⚠WARNING: Never modify the power tool or any part of it. Damage or personal injury could result.

- A. Spark guards
- B. Eye shields
- C. Coarse grinding wheel (36 Grit)
- D. Tool rests
- E. Switch (On/Off)
- F. Medium grinding wheel (60 Grit)

FIG. 1



Model	Bench Grinder	Arbor	RPM
DW756	6" (152 mm)	1/2" (13 mm)	3450
DW758	8" (200 mm)	5/8" (16 mm)	3600

ASSEMBLY AND ADJUSTMENTS

⚠ WARNING: To reduce the risk of injury, turn unit off and disconnect it from power source before installing and removing accessories, before adjusting or when making repairs. An accidental start-up can cause injury.

Bench Mounting

1. The grinder should be unplugged.
2. Remove the drilling template from this manual (page 36) and place it in position of the bench. Check for the availability of power for the grinder. Tape the template to the bench.
3. Using a center punch, transfer the hole centers for drilling.
4. Drill appropriate sized holes.
5. Insert M8 hex head bolts through washers and the holes. You may want to use washers on the underside of the bench as well.
6. Tighten the nuts. Do not overtighten. Allow the rubber feet to absorb the vibration when the grinder is running.

Installing Tool Rests (Fig. 2)

There is a left and right tool rest. First secure the tool rest (D) to the bracket (G) using the hex bolt (H), spring washer (I), flat washer (J), external tooth washer (K) and nut (M).

For the DW756, an additional spacer (L) and external tooth washer (K) are required, as shown in Figure 2.

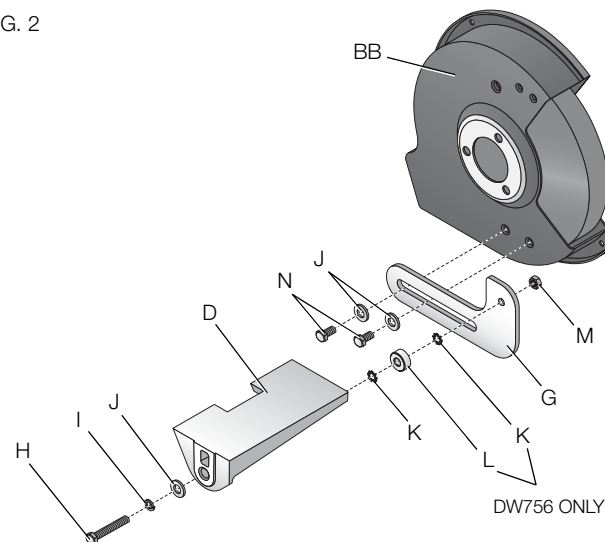
Next, for the DW756 and the DW758, secure the bracket/tool rest assembly to the wheel guard (BB) using the two 1/4"-20UNC bolts (N), and two flat washers (J).

Proceed to install the other tool rest using the same description.

⚠ CAUTION: Longer bolts may interfere with the movement of the grinding wheel.

NOTE: When in use, the tool rests should be adjusted to within 1/8" (3.18 mm) of the grinding wheel or other accessory being used.

FIG. 2



Installing Spark Guards (Fig. 3)

The spark guards (A) are identified L for left and R for right. Refer to Figure 3 to install the spark guard to the wheel guard (BB) using the two bolts (O) and flat washers (J). Adjust the edge of the spark guard to within 1/16" (1.6 mm) of the grinding wheel or other accessory. Tighten the two bolts (O) securely.

Proceed to install the other spark guard using the same description.

Installing Eye Shields (Fig. 4)

⚠ WARNING: Eye shields are not designed to replace safety glasses.

Install the eye shields (B) (they will fit either side) to the brackets, as shown in Figure 4. Screw the plastic knob (P) through the washer (Q), the spark guard (A), the spacer (R), the eye shield (B) and finally into the nut (S). Adjust eye shields so they are between the wheels and your eyes.

Proceed to install the other eye shield using the same description.

Tighten the shields in place by tightening the plastic knob (P) in the bracket assembly. Remove protective film.

FIG. 3

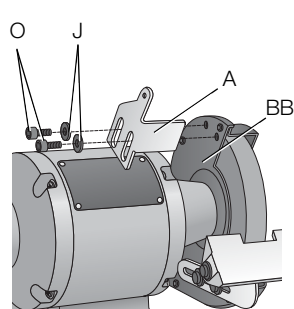
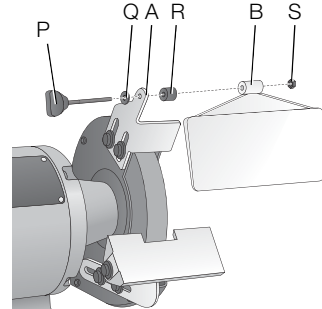


FIG. 4



OPERATION

⚠ WARNING: To reduce the risk of injury, turn unit off and disconnect it from power source before installing and removing accessories, before adjusting or when making repairs. An accidental start-up can cause injury.

⚠ CAUTION: Prolonged grinding will cause most materials to become hot. Handle them with pliers or thick gloves.

⚠ CAUTION: Never attempt to use your bench grinder unless it is firmly bolted to a workbench or rigid frame that is also firmly attached to the floor.

- Before turning the grinder on, put on safety glasses.
- Turn on the grinder and allow it to reach full speed (3450 RPM - DW756, 3600 RPM - DW758).
- Hold the workpiece firmly and against the tool rest.
- Hold very small pieces with pliers or other suitable clamps.
- Feed the work smoothly and evenly into the grinding wheel.
- Move the work slowly and avoid jamming the work against the wheel. As the wheel tends to slow down you should occasionally release the pressure to let the wheel return to full speed.
- Grind only on the face of the grinding wheel and never on the side. (Some wheels are designed for side grinding and will say so on their instruction sheets).

Switch (Fig. 1)

The switch (E) is located on the front of the grinder, on the base.

To turn the tool on depress the side of the rocker switch on the left side, marked "ON".

To turn off the grinder, depress the right side of the rocker switch, marked "OFF".

MAINTENANCE

⚠ WARNING: To reduce the risk of injury, turn unit off and disconnect it from power source before installing and removing accessories, before adjusting or when making repairs. An accidental start-up can cause injury.

Cleaning

⚠ WARNING: Blow dirt and dust out of all air vents with clean, dry air at least once a week. To minimize the risk of eye injury, always wear ANSI Z87.1 approved eye protection when performing this.

⚠ WARNING: Never use solvents or other harsh chemicals for cleaning the non-metallic parts of the tool. These chemicals may weaken the plastic materials used in these parts. Use a cloth dampened only with water and mild soap. Never let any liquid get inside the tool; never immerse any part of the tool into a liquid.

Accessories

⚠ WARNING: Since accessories, other than those offered by DEWALT, have not been tested with this product, use of such accessories with this tool could be hazardous. To reduce the risk of injury, only DEWALT recommended accessories should be used with this product.

Grinding wheels must fit within the confines of the guard and must be rated higher than the recommended speed as marked on the bench grinder nameplate.

Recommended accessories for use with your tool are available at extra cost from your local dealer or authorized service center. If you need assistance in locating any accessory, please contact DEWALT Industrial Tool Co., 701 East Joppa Road, Towson, MD 21286, call 1-800-4-DEWALT (1-800-433-9258) or visit our website: www.dewalt.com.

⚠ WARNING: To reduce the risk of injury, always use proper guards when grinding and wear eye protection.

⚠ CAUTION: Strands of wire cup brushes may break and fly off while in use. Users and others in the area should wear adequate eye, face and body protection. Use only wire cup brushes that are rated at or greater than the RPM shown on the tool's nameplate.

⚠ CAUTION: The use of any non-recommended accessory may be hazardous.

Changing Accessories (Fig. 2, 5, 6, 7)

Change accessories when the spark guard can no longer be adjusted to 1/16" (1.6 mm) from the wheel.

DW756 - use only wheels that measure 6" (152 mm) in diameter. This tool has 1/2" (13 mm) arbors on each side.

DW758 - use only wheels that measure 8" (200 mm) in diameter. This tool has 5/8" (16 mm) arbors on each side.

Follow the steps below to remove and replace an accessory.

1. Raise the eye shield (B).
2. Loosen, but do not remove, the tool rest bolts (H, Fig. 2) and pull the tool rest (D) out as far as possible. Do not remove it.
3. Loosen, but do not remove, the spark guard bolts (O,

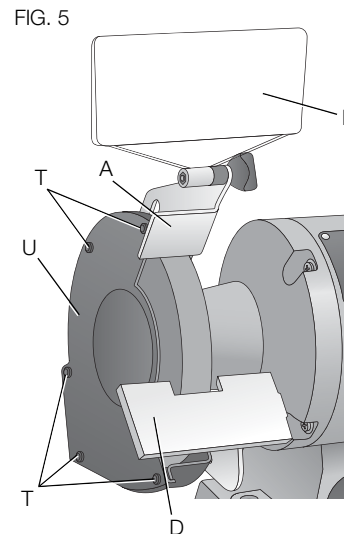


Fig. 3) and pull the spark guard (A) out as far as possible. Do not remove it.

4. Remove the screws (T) from both side covers (U) and remove the covers.
5. Using hex or adjustable wrenches, grasp the two hex nuts (V) holding the wheels to the arbor shaft (W) at each end of the tool (Refer to Fig. 6, 7). To remove the wheel from the left side, turn the hex nut (V) clockwise while holding the other stationary. To remove the wheel from the right side, turn the hex nut (V) counter clockwise while holding the other stationary.
6. Remove the wheel flanges (X) and the wheel (Y).
7. Inspect the wheel for cracks, chips or any other visible damage (other than normal wear) and discard if such damage is found. Inspect the blotter (Z) for damage. If the blotter is missing or severely damaged, replace it with a piece of thin cardboard or blotter paper cut to the same size. NEVER USE A WHEEL WITHOUT A BLOTTER.

FIG. 6

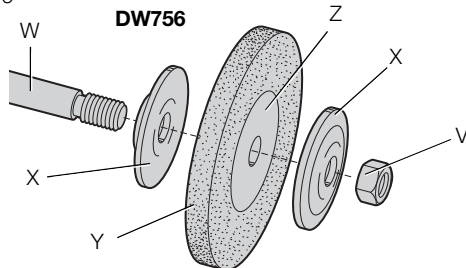
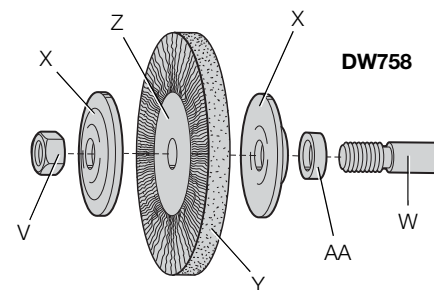


FIG. 7



8. Install the new wheel or other accessory (Y).

For the DW756 (Fig. 6), be sure that the wheel flanges (X) are in place (concave side toward the wheel).

For the DW758 (Fig. 7), be sure the spacers (AA) and the wheel flanges (X) are both in place (concave side toward the wheel).

9. Hold both hex nuts (V) as before and tighten them but do not overtighten. Overtightening can crack a grinding wheel.
10. Replace the wheel covers and their screws.
11. Adjust the spark guard (A) to 1/16" (1.6 mm) from the wheel and tighten securely.
12. Adjust the tool rest (D) to 1/8" (3.18 mm) from the wheel and tighten securely.
13. Adjust the eye shield (B) to a point between your eyes and the wheel. The bench grinder is now ready for use.
14. Follow the above steps to install buffing wheels and wire wheel brushes as well as grinding wheels.

Repairs

To assure product SAFETY and RELIABILITY, repairs, maintenance and adjustment (including brush inspection and replacement) should be performed by a DEWALT factory service center, a DEWALT authorized service center or other qualified service personnel. Always use identical replacement parts.

Three Year Limited Warranty

DEWALT will repair, without charge, any defects due to faulty materials or workmanship for three years from the date of purchase. This warranty does not cover part failure due to normal wear or tool abuse. For further detail of warranty coverage and warranty repair information, visit www.dewalt.com or call 1-800-4-DEWALT (1-800-433-9258). This warranty does not apply to accessories or damage caused where repairs have been made or attempted by others. This warranty gives you specific legal rights and you may have other rights which vary in certain states or provinces.

In addition to the warranty, DEWALT tools are covered by our:

1 YEAR FREE SERVICE

DEWALT will maintain the tool and replace worn parts caused by normal use, for free, any time during the first year after purchase.

30 DAY NO RISK SATISFACTION GUARANTEE

If you are not completely satisfied with the performance of your DEWALT heavy-duty industrial tool, simply return it to the participating seller within 30 days for a full refund. Please return the complete unit, transportation prepaid. Proof of purchase may be required.

LATIN AMERICA: This warranty does not apply to products sold in Latin America. For products sold in Latin America, see country specific warranty information contained in the packaging, call the local company or see website for warranty information.

FREE WARNING LABEL REPLACEMENT: If your warning labels become illegible or are missing, call 1-800-4-DEWALT (1-800-433-9258) for a free replacement.



DW756

GRINDING WHEELS	MAX. SAFE SPEED
5/8" (16 mm) Face, 6" (152 mm) dia. 60 grit medium grinding wheel	4136 RPM
3/4" (19 mm) Face, 6" (152 mm) dia. 60 grit medium grinding wheel	4136 RPM
5/8" (16 mm) Face, 6" (152 mm) dia. 36 grit coarse grinding wheel	4136 RPM
1/2" (13 mm) Face, 6" (152 mm) dia. 60 grit medium grinding wheel	3825 RPM
BUFFING WHEELS	
5/8" (16 mm) Face, 6" (152 mm) dia. cotton buffing wheel	3600 RPM

English

WIRE WHEEL BRUSHES

1/2" (13 mm) arbor, 5/8" (16 mm) Face, 3600 RPM
6" (152 mm) dia.

DW758

GRINDING WHEELS

7/8" (22 mm) & 1" (25 mm) Face, 8" (200 mm) 3600 RPM
dia. 60 grit medium grinding wheel

7/8" (22 mm) & 1" (25 mm) Face, 8" (200 mm) 3600 RPM
dia. 36 grit coarse grinding wheel

MAX. SAFE SPEED

BUFFING WHEEL

5/8" (16 mm) arbor, 8" dia. cotton buffing wheel 3600 RPM

WIRE WHEEL BRUSHES

5/8" (16 mm) arbor, 5/8" (16 mm)-1-1/4" 3600 RPM
(32 mm) Face, 8" (200 mm) dia.

Définitions : lignes directrices en matière de sécurité

Les définitions ci-dessous décrivent le niveau de danger pour chaque mot-indicateur employé. Lire le mode d'emploi et porter une attention particulière à ces symboles.

⚠ DANGER : indique une situation dangereuse imminente qui, si elle n'est pas évitée, **entraînera la mort ou des blessures graves**.

⚠ AVERTISSEMENT : indique une situation potentiellement dangereuse qui, si elle n'est pas évitée, **pourrait entraîner la mort ou des blessures graves**.

⚠ ATTENTION : indique une situation potentiellement dangereuse qui, si elle n'est pas évitée, **pourrait entraîner des blessures légères ou modérées**.

AVIS : indique une pratique ne posant **aucun risque de dommages corporels** mais qui par contre, si rien n'est fait pour l'éviter, **pourrait poser des risques de dommages matériels**.

POUR TOUTE QUESTION OU REMARQUE AU SUJET DE CET OUTIL OU DE TOUT AUTRE OUTIL DEWALT, COMPOSEZ LE NUMÉRO SANS FRAIS : **1-800-4-DEWALT (1-800-433-9258)**.



AVERTISSEMENT : afin de réduire le risque de blessures, lire le mode d'emploi de l'outil.

Importantes mesures de sécurité

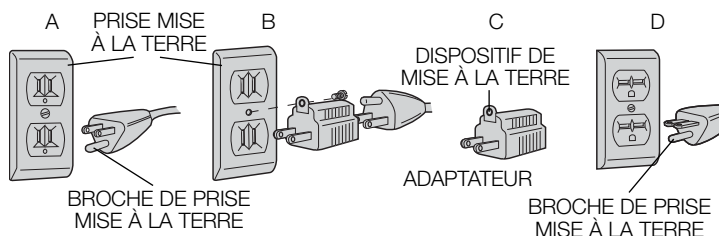


AVERTISSEMENT ! Lire tous les avertissements de sécurité et toutes les directives. Le non-respect des avertissements et des directives pourrait se solder par un choc électrique, un incendie et/ou une blessure grave.

LIRE TOUTES LES DIRECTIVES.

Mise à la terre

L'outil devrait être mis à la terre lors de son utilisation afin de protéger l'utilisateur contre les risques de secousses électriques. L'outil est doté d'un cordon trifilaire et d'une fiche à trois broches de type mis à la terre qui s'insère dans une prise mise à la terre. Le conducteur vert (ou vert et jaune) du cordon est le fil de mise à la terre. Ne jamais raccorder le fil vert (ou vert et jaune) à une borne sous tension. Lorsque l'outil est conçu pour recevoir une alimentation de moins de 150 volts, il est doté d'une fiche semblable à celle illustrée à la figure A. Lorsque l'outil est conçu pour recevoir une alimentation variant entre 150 et 250 volts, il est doté d'une fiche semblable à celle illustrée à la figure D. On peut se procurer un adaptateur (fig. B et C) pour brancher une fiche semblable à celle de la figure A dans des prises à deux orifices. Il faut alors relier la tige, la cosse ou le dispositif similaire de couleur verte à une mise à la terre permanente (comme une prise bien mise à la terre). Il n'y a pas d'adaptateur pour la fiche illustrée à la figure D. l'adaptateur illustré aux figures b et c ne peut pas être utilisé au Canada.



Mesures de sécurité pour tous les outils

- **BIEN DÉGAGER LA SURFACE DE TRAVAIL.** Des surfaces et des établis encombrés peuvent être la cause de blessures.
- **TENIR COMPTE DU MILIEU DE TRAVAIL.** Protéger les outils électriques de la pluie. Ne pas s'en servir dans des endroits humides ou mouillés. Bien éclairer la surface de travail. Ne pas se servir de l'outil en présence de liquides ou de vapeurs inflammables.
- **SE PROTÉGER CONTRE LES SECOURS ÉLECTRIQUES.** Éviter tout contact avec des objets mis à la terre, comme des tuyaux, radiateurs, cuisinières, réfrigérateurs et autres objets du genre.
- **ÉLOIGNER LES ENFANTS.** Tous les visiteurs doivent être tenus à l'écart de l'aire de travail et il faut les empêcher de toucher à l'outil ou au cordon de rallonge.
- **RANGER LES OUTILS INUTILISÉS.** Il faut ranger les outils dans un endroit sec, situé en hauteur ou fermé à clé, hors de la portée des enfants.
- **NE JAMAIS FORCER L'OUTIL.** Afin d'obtenir un rendement sûr et efficace, utiliser l'outil à son rendement nominal.
- **UTILISER L'OUTIL APPROPRIÉ.** Ne jamais exiger d'un petit outil ou d'un accessoire le rendement d'un outil de fabrication plus robuste. Se servir de l'outil selon l'usage prévu.
- **PORTER DES VÊTEMENTS APPROPRIÉS.** Éviter de porter des vêtements amples et des bijoux qui peuvent être happés par les pièces en mouvement. Porter des gants de caoutchouc et des chaussures à semelle antidérapante pour travailler à l'extérieur. Protéger la chevelure si elle est longue.
- **PORTER DES LUNETTES DE SÉCURITÉ.** Porter également un masque respiratoire si le travail de coupe produit de la poussière.
- **NE PAS MANIPULER LE CORDON DE FAÇON ABUSIVE.** Ne pas transporter l'outil par le cordon ni tirer sur ce dernier pour le débrancher de la prise. Éloigner le cordon des sources de chaleur, des flaques d'huile et des arêtes tranchantes.
- **ASSUJETTIR LA PIÈCE.** Immobiliser la pièce à l'aide de brides ou d'un étau. On peut alors se servir des deux mains pour faire fonctionner l'outil, ce qui est plus sûr.
- **NE PAS DÉPASSER SA PORTÉE.** Toujours demeurer dans une position stable et garder son équilibre.
- **PRENDRE SOIN DES OUTILS.** Conserver les outils propres et affûtés pour qu'ils donnent un rendement supérieur et sûr. Suivre les directives concernant la lubrification et le remplacement des accessoires. Inspecter régulièrement le cordon de l'outil et le faire réparer au besoin à un atelier d'entretien autorisé. Inspecter régulièrement les cordons de rallonge et les remplacer lorsqu'ils sont endommagés. S'assurer que les poignées sont toujours propres, sèches et libres de toute tache d'huile ou de graisse.
- **DÉBRANCHER OU VERROUILLER EN POSITION HORS TENSION LES OUTILS NON UTILISÉS.** Respecter cette mesure lorsqu'on ne se sert pas de l'outil, ou qu'on doit le réparer ou en changer un accessoire (comme une lame, un foret ou un couteau).
- **ENLEVER LES CLÉS DE RÉGLAGE.** Prendre l'habitude de vérifier si les clés de réglage ont été retirées avant de faire démarrer l'outil.
- **ÉVITER LES DÉMARRAGES ACCIDENTELS.** Ne pas laisser le doigt sur l'interrupteur lorsqu'on transporte l'outil. S'assurer que l'interrupteur est à la position hors circuit lorsqu'on branche l'outil.
- **Cordons de rallonge.** Utiliser seulement des cordons de rallonge trifilaires ayant une fiche à 3 broches ainsi qu'une prise à 3 trous acceptant la fiche de l'outil. Remplacer ou réparer les cordons de rallonge endommagés. S'assurer que le cordon de rallonge

est en bon état. Lorsqu'on se sert d'un cordon de rallonge, s'assurer qu'il est de calibre approprié pour la tension nécessaire au fonctionnement de l'outil. L'utilisation d'un cordon de calibre inférieur occasionne une baisse de tension entraînant une perte de puissance et la surchauffe. Le tableau suivant indique le calibre approprié selon la longueur du cordon et les mentions de la plaque signalétique de l'outil. En cas de doute, utiliser un cordon de calibre supérieur. Le chiffre indiquant le calibre est inversement proportionnel au calibre du cordon.

Calibres minimaux des rallonges						
Intensité (en ampères)		volts	Longueur totale de cordon en mètres (pieds)			
		120 V	7,6 (25)	15,2 (50)	30,5 (100)	45,7 (150)
		240 V	15,2 (50)	30,5 (100)	61,0 (200)	91,4 (300)
Supérieur à	Inférieur à	AWG				
0	6		18	16	16	14
6	10		18	16	14	12
10	12		16	16	14	12
12	16		14	12	Non recommandé	

- **CORDONS DE RALLONGE PRÉVUS POUR L'EXTÉRIEUR.** Lorsque l'outil est utilisé à l'extérieur, ne se servir que d'un cordon de rallonge conçu pour l'extérieur et portant la mention appropriée.
- **DEMEURER VIGILANT.** Travailler avec vigilance et faire preuve de bon sens. Ne pas se servir de l'outil lorsqu'on est fatigué.
- **VÉRIFIER LES PIÈCES ENDOMMAGÉES.** Avant de continuer à utiliser l'outil, il faut vérifier si le protecteur ou toute autre pièce endommagée remplit bien la fonction pour laquelle il a été prévu.

Vérifier l'alignement et les attaches des pièces mobiles, le degré d'usure des pièces et leur montage, ainsi que tout autre facteur susceptible de nuire au bon fonctionnement de l'outil. Faire réparer ou remplacer tout protecteur ou toute autre pièce endommagée dans un centre de service autorisé, sauf si le présent guide fait mention d'un avis contraire. Confier le remplacement de tout interrupteur défectueux à un centre de service autorisé. Ne jamais se servir d'un outil dont l'interrupteur est défectueux.

- **MAINTENIR LES DISPOSITIFS DE PROTECTION EN PLACE** et en bon état de marche.
- **UTILISER LES ACCESSOIRES RECOMMANDÉS.** Consulter le manuel de l'utilisateur pour connaître les accessoires recommandés. L'utilisation d'accessoires inadéquats comporte des risques de dommages corporels.
- **NE JAMAIS MONTER SUR L'OUTIL.** De sérieux dommages corporels pourraient en résulter si l'outil basculait ou en cas de contact involontaire avec l'organe de coupe.

Mesures de sécurité additionnelles relatives aux meuleuses

- **UTILISER SYSTÉMATIQUEMENT LES PARE-ÉTINCELLES ET LES ÉCRANS OCULAIRES. LORS DU MEULAGE, MAINTENIR SYSTÉMATIQUEMENT LES PARE-ÉTINCELLES EN PLACE.**
- Utiliser seulement des meules dont le régime maximal équivaut au moins au régime à vide indiqué sur la plaque signalétique de l'outil. Utiliser exclusivement des meules spécifiques à la vitesse de la meuleuse.
- Utiliser exclusivement les brides fournies avec la meuleuse.
- Régler régulièrement la distance entre la meule et le travail pour maintenir un espace de 3,18 mm (1/8 po) ou moins, car le diamètre de la meule diminuera à l'usage.

- Avant d'utiliser un accessoire recommandé, vérifier s'il ne renferme aucune fêlure ni défaut. Le cas échéant, jeter l'accessoire. **NE PAS SE SERVIR D'UNE MEULE QUI PORTE DES TRACES DE FÊLURES OU DE DÉFAUTS.**
- Au moment du démarrage de l'outil, le laisser fonctionner pendant une minute. Ne jamais mettre l'outil en marche lorsqu'une personne (y compris l'utilisateur) se trouve dans la trajectoire de la meule.
- Ne jamais meuler à l'aide des côtés de la meule, sauf si celle-ci est conçue à cet effet.
- Attention à ne pas trop serrer l'écrou hexagonal, car cela pourrait faire fendre la meule.
- Nettoyer régulièrement le creux autour de la meule.

⚠ AVERTISSEMENT : porter **SYSTEMATIQUEMENT** des lunettes de protection. Les lunettes courantes **NE** sont **PAS** des lunettes de protection. Utiliser aussi un masque antipoussières si la découpe doit en produire beaucoup. **PORTER SYSTEMATIQUEMENT UN ÉQUIPEMENT DE SÉCURITÉ HOMOLOGUÉ :**

- Protection oculaire ANSI Z87.1 (CAN/CSA Z94.3) ;
- Protection auditive ANSI S12.6 (S3.19) ;
- Protection des voies respiratoires NIOSH/OSHA/MSHA.

⚠ AVERTISSEMENT : les scies, meules, ponceuses, perceuses ou autres outils de construction peuvent produire des poussières contenant des produits chimiques reconnus par l'État californien pour causer cancers, malformations congénitales ou être nocifs au système reproducteur. Parmi ces produits chimiques, on retrouve :

- Le plomb dans les peintures à base de plomb ;
- La silice cristallisée dans les briques et le ciment, ou autres produits de maçonnerie ; et
- L'arsenic et le chrome dans le bois ayant subi un traitement chimique.

Le risque associé à de telles expositions varie selon la fréquence à laquelle on effectue ces travaux. Pour réduire toute exposition à ces produits : travailler dans un endroit bien aéré, en utilisant du matériel de sécurité homologué, tel un masque antipoussières spécialement conçu pour filtrer les particules microscopiques.

- **limiter toute exposition prolongée avec les poussières provenant du ponçage, sciage, meulage, perçage ou toute autre activité de construction. Porter des vêtements de protection et nettoyer à l'eau savonneuse les parties du corps exposées.** Le fait de laisser la poussière pénétrer dans la bouche, les yeux ou la peau peut favoriser l'absorption de produits chimiques dangereux.

⚠ AVERTISSEMENT : cet outil peut produire et/ou répandre de la poussière susceptible de causer des dommages sérieux et permanents au système respiratoire. Utiliser systématiquement un appareil de protection des voies respiratoires homologué par le NIOSH ou l'OSHA. Diriger les particules dans le sens opposé au visage et au corps.

⚠ AVERTISSEMENT : pendant l'utilisation, porter systématiquement une protection auditive individuelle adéquate homologuée ANSI S12.6 (S3.19). Sous certaines conditions et suivant la durée d'utilisation, le bruit émanant de ce produit pourrait contribuer à une perte de l'acuité auditive.

- L'étiquette apposée sur votre outil peut inclure les symboles suivants. Les symboles et leur définition sont indiqués ci-après :

V..... volts	A..... ampères
Hz..... hertz	W..... watts
min..... minutes	~ ou AC..... courant alternatif
— ou DC... courant continu	⊜ ou AC/DC... courant alternatif ou continu
Ⓛ..... classe I fabrication (mis à la terre)	

□..... fabrication	n_0 vitesse à vide
..... classe II	n vitesse
(double isolation) nominale
.../min par minute	⊕ borne de terre
IPM..... impacts par	⚠..... symbole
minute	d'avertissement
BPM..... battements par	r/min..... tours par
minute	minute
sfpm..... pieds linéaires	SPM (FPM)..... fréquence par
par minute (plpm)	minute

**CONSERVER CES CONSIGNES POUR
UTILISATION ULTÉRIEURE**

Moteur

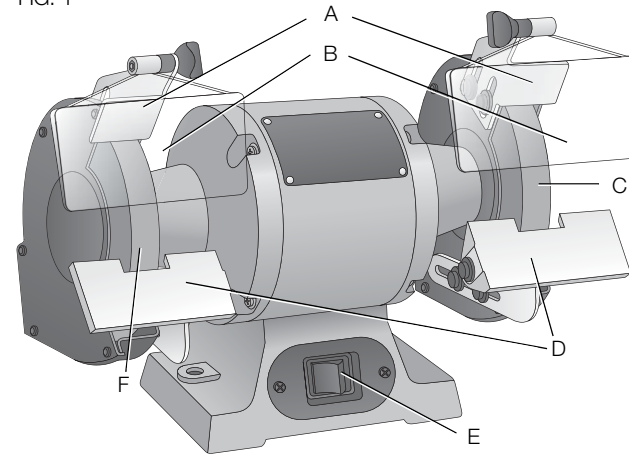
S'assurer que le bloc d'alimentation est compatible avec l'inscription de la plaque signalétique. Une diminution de tension de plus de 10 % provoquera une perte de puissance et une surchauffe. Les outils DEWALT sont testés en usine ; si cet outil ne fonctionne pas, vérifier l'alimentation électrique.

DESCRIPTION (Fig. 1)

⚠AVERTISSEMENT : ne jamais modifier l'outil électrique ni aucun de ses composants, car il y a risques de dommages corporels ou matériels.

- | | |
|-----------------------------------|------------------------------------|
| A. Pare-étincelles | D. Appuis |
| B. Écrans oculaires | E. L'interrupteur (On/Off) |
| C. Meule à gros grain (36 grains) | F. Meule à grain moyen (60 grains) |

FIG. 1



	Meuleuse d'établi	à arbre	trs/min
DW756	152 mm (6 po)	13 mm (1/2 po)	3 450
DW758	200 mm (8 po)	16 mm (5/8 po)	3 600

ASSEMBLAGE ET AJUSTEMENTS

⚠AVERTISSEMENT : pour réduire le risque de blessures, éteindre l'appareil et le débrancher avant d'installer ou de retirer tout accessoire et avant d'effectuer des réglages ou des réparations. Un démarrage accidentel peut provoquer des blessures.

Montage sur établi

1. Il faut débrancher la meuleuse.
2. Retirez le gabarit de perçage de ce guide d'utilisation (page 36) et positionnez-le sur l'établi. Vérifiez que le secteur est à proximité de la meuleuse. Collez le gabarit sur l'établi.
3. Avec un poinçon, marquer le centre des trous à percer.
4. Percer des trous de dimensions appropriées.
5. Insérez les boulons à tête hexagonale M8 dans les rondelles puis dans les trous. On peut également utiliser des rondelles sur la face inférieure de l'établi.
6. Serrer les écrous; éviter de trop les serrer. Les pattes de caoutchouc doivent absorber les vibrations lorsque la meuleuse fonctionne.

Installation des appuis (Fig. 2)

Il y a un appui gauche et un appui droit. Arrimez tout d'abord l'appui (D) au dispositif de fixation (G) à l'aide du boulon (H), de la rondelle élastique (I), de la rondelle plate (J), d'une rondelle à dents externe (K) et de l'écrou (M).

Pour le modèle DW756, une bague entretoise (L) et une rondelle à dents (K) externe supplémentaires sont requises, comme illustré en figure 2.

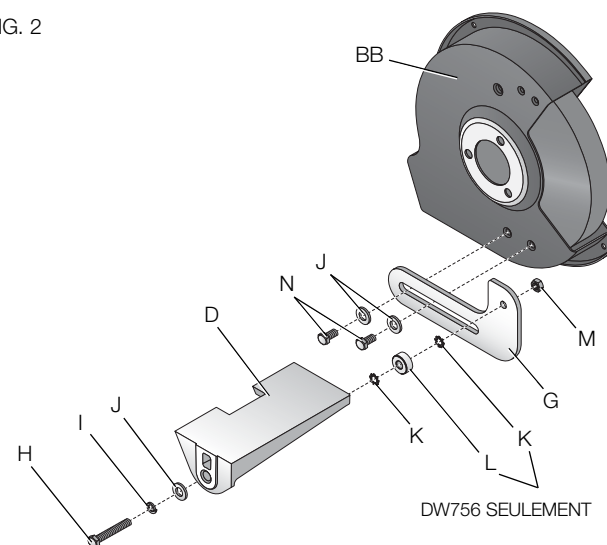
Puis, pour les modèles DW756 et DW758, arrimez l'ensemble dispositif de fixation/appui au carter de meule (BB) à l'aide de deux boulons 20UNC de 1/4 po (N) et deux rondelles plates (J).

Continuez en installant l'autre appui de la même façon.

ATTENTION : des boulons plus longs pourront interférer avec le mouvement de la meule.

REMARQUE : pendant l'utilisation, les appuis doivent être ajustés à 3,18 mm (1/8 po) de la meule ou de tout autre accessoire utilisé.

FIG. 2



Installation des pare-étincelles (Fig. 3)

Les pare-étincelles (A) ont été identifiés, L pour gauche, R pour droit. Reportez-vous en figure 3 pour installer le pare-étincelles au carter de meule (BB) à l'aide de deux boulons (O) et rondelles plates (J). Ajustez le bord du pare-étincelles à 1,6 mm (1/16 po) de la meule ou tout autre accessoire. Serrez soigneusement les deux boulons (O). Continuez en installant l'autre pare-étincelles de la même façon.

Installation des écrans oculaires (Fig. 4)

⚠AVERTISSEMENT : les écrans oculaires n'ont pas été conçus pour remplacer des lunettes de protection.

Installez les écrans oculaires (B), indifféremment de l'un ou l'autre côté, sur les pattes de fixation, comme illustré en figure 4. Vissez le bouton plastique (P) dans la rondelle (Q), le pare-étincelle (A), la bague entretoise (R), l'écran oculaire (B) et enfin l'écrou (S). Ajustez les écrans oculaires de façon à ce qu'ils se trouvent entre les meules et vos yeux.

Continuez en installant l'autre écran oculaire de la même façon.

Serrez soigneusement les écrans en resserrant le bouton plastique (P) sur la patte de fixation. Retirez le film protecteur.

FIG. 3

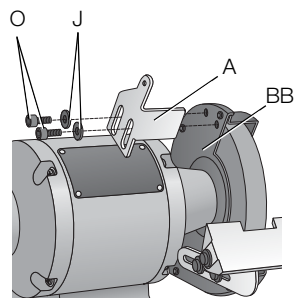
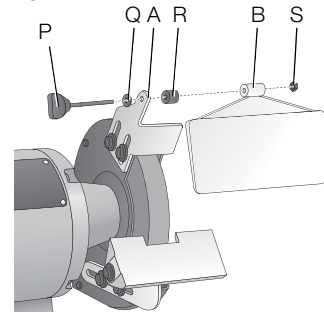


FIG. 4



UTILISATION

⚠AVERTISSEMENT : pour réduire le risque de blessures, éteindre l'appareil et le débrancher avant d'installer ou de retirer tout accessoire et avant d'effectuer des réglages ou des réparations. Un démarrage accidentel peut provoquer des blessures.

⚠ATTENTION : le meulage prolongé fait chauffer la plupart des matériaux. Manipulez-les avec des pinces ou des gants épais.

⚠ATTENTION : ne jamais tenter d'utiliser votre meuleuse d'établi si elle n'est pas solidement vissée à un établi ou à un châssis rigide lui-même solidement arrimé au sol.

- Avant de démarrer l'outil, mettre des lunettes de sécurité.
- Mettre l'outil en marche et attendre son régime nominal (3 450 trs/min dans le cas du modèle DW756 et 3 600 trs/min pour le modèle DW758).
- Saisir fermement la pièce à ouvrir et bien l'appuyer contre l'appui.
- Utiliser des pinces appropriées pour retenir de très petites pièces.
- Alimenter uniformément la pièce contre le meule.
- Déplacer lentement la pièce et éviter de la bloquer contre le meule. Lorsque la meule ralentit, exercer une pression moins forte contre celle-ci afin de la laisser revenir à son régime nominal.
- Se servir seulement de la face de la meule, jamais les côtés. (Certaines meules sont conçues pour meuler sur les côtés et cela est indiqué sur les consignes qui les accompagnent.)

Interrupteur (Fig. 1)

L'interrupteur (E) se trouve à l'avant de l'outil, sur le socle.

Pour mettre l'outil en marche, enfoncer le côté gauche de l'interrupteur à bascule portant la mention ON.

Pour arrêter l'outil, enfoncer le côté droit de l'interrupteur à bascule portant la mention OFF.

MAINTENANCE

⚠AVERTISSEMENT : pour réduire le risque de blessures, éteindre l'appareil et le débrancher avant d'installer ou de retirer tout accessoire et avant d'effectuer des réglages ou des réparations. Un démarrage accidentel peut provoquer des blessures.

Nettoyage

⚠ AVERTISSEMENT : enlever les saletés et la poussière hors des événements au moyen d'air comprimé propre et sec, au moins une fois par semaine. Pour minimiser le risque de blessure aux yeux, toujours porter une protection oculaire conforme à la norme ANSI Z87.1 lors du nettoyage.

⚠ AVERTISSEMENT : ne jamais utiliser de solvants ni d'autres produits chimiques puissants pour nettoyer les pièces non métalliques de l'outil. Ces produits chimiques peuvent affaiblir les matériaux de plastique utilisés dans ces pièces. Utiliser un chiffon humecté uniquement d'eau et de savon doux. Ne jamais laisser de liquide pénétrer dans l'outil et n'immerger aucune partie de l'outil dans un liquide.

Accessoires

⚠ AVERTISSEMENT : puisque les accessoires autres que ceux offerts par DEWALT n'ont pas été testés avec ce produit, leur utilisation pourrait s'avérer dangereuse. Pour réduire le risque de blessures, utiliser exclusivement les accessoires DEWALT recommandés avec le présent produit.

Les meules doivent pouvoir rentrer dans l'espace laissé par le dispositif de protection et pouvoir tourner à une vitesse supérieure à la vitesse recommandée donnée sur la plaque signalétique de la meuleuse d'établi.

Les accessoires recommandés pour cet outil sont vendus séparément au centre de service de votre région. Pour obtenir de l'aide concernant l'achat d'un accessoire, communiquer avec DEWALT Industrial Tool Co., 701 East Joppa Road, Towson, MD 21286 aux États-Unis; composer le 1 800 433-9258 (1 800 4-DEWALT) ou visiter notre site Web : www.dewalt.com.

⚠ AVERTISSEMENT : afin de minimiser les risques de blessures, toujours utiliser les protecteurs appropriés et porter des lunettes de sécurité.

⚠ ATTENTION : des fils métalliques peuvent se détacher des brosses métalliques et être projetés dans les airs lors de l'utilisation. L'utilisateur et les observateurs doivent donc porter des lunettes de sécurité et tout autre équipement de protection pour le corps et le visage. Utiliser seulement des brosses métalliques dont le régime nominal est supérieur à celui indiqué sur la plaque signalétique de l'outil.

⚠ ATTENTION : l'utilisation de tout accessoire non recommandé peut être dangereuse. Remplacement des accessoires : mettre la meuleuse d'établi hors tension et la débrancher.

Remplacement des accessoires (Fig. 2, 5, 6, 7)

Remplacer les accessoires lorsque le pare-étincelles ne peut plus être réglé à 1,6 mm (1/16 po) de la meule.

Modèle DW756 - utiliser seulement des meules de 152 mm (6 po) de diamètre. L'outil est doté d'un arbre de 13 mm (1/2 po) à chaque extrémité.

Modèle DW758 - utiliser seulement des meules de 200 mm (8 po) de diamètre. L'outil est doté d'un arbre de 16 mm (5/8 po) à chaque extrémité.

Faire ce qui suit pour retirer et remplacer un accessoire.

1. Soulever l'écran protecteur (B).
2. Desserrez sans les retirer les boulons (H, fig.2) des appuis puis tirez les appuis (D) vers l'extérieur le plus loin possible. Ne pas le retirer.

3. Desserrez sans les retirer les boulons (O, fig. 3) du pare-étincelles puis tirez le pare-étincelles (A) vers l'extérieur le plus loin possible. Ne pas le retirer.

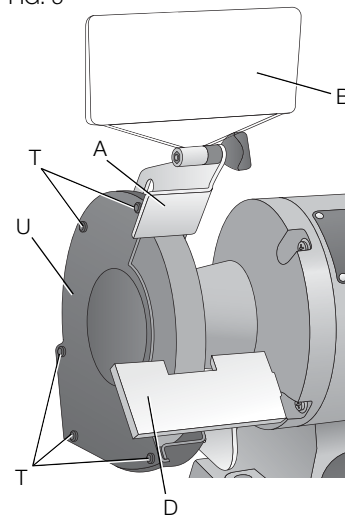
4. Retirez les vis (T) des deux capots latéraux (U) puis retirez ces derniers.

5. À l'aide d'une clé hexagonale ou réglable, saisissez les deux écrous hexagonaux (V) retenant les meules à l'arbre (W) à chaque extrémité de l'outil (fig. 6, 7). Pour retirer la meule du côté gauche, tournez l'écrou hexagonal (V) vers la droite tout en maintenant l'autre immobile. Pour retirer la meule du côté droit, tournez l'écrou hexagonal (V) vers la gauche tout en maintenant l'autre immobile.

6. Enlever la rondelle (X) de la meule et la meule (Y).

7. Inspecter la meule afin d'en détecter les fêlures, les accrocs ou tout autre dommage visible (autre que ceux dus à l'usure normale). Jeter les meules endommagées. Vérifier si les buvards (Z) sont endommagés. Lorsqu'il en manque ou lorsqu'ils sont très endommagés, les remplacer par des morceaux de carton mince ou de papier buvard découpé dans la même forme. **NE JAMAIS UTILISER UNE MEULE SANS BUVARD.**

FIG. 5



8. Installer la nouvelle meule ou tout autre accessoire (Y).
Pour le modèle DW756 (fig. 5), assurez-vous que les brides de meule (X) sont bien positionnées (face concave contre la meule).

Pour le modèle DW758 (fig.7), assurez-vous qu'à la fois les bagues entretoises (AA) et les brides de meule (X) sont bien positionnées (face concave contre la meule).

FIG. 6

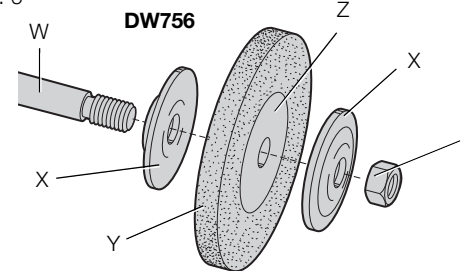
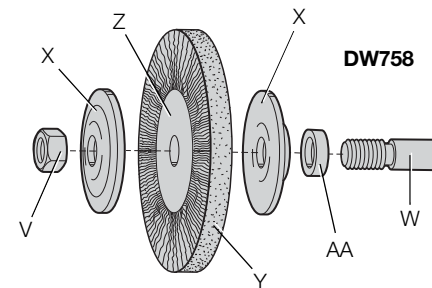


FIG. 7



9. Maintenez les deux écrous hexagonaux (V) comme à l'origine puis revissez-les sans trop les serrer. Un écrou trop serré peut faire craquer la meule.
10. Réinstallez les capots de la meule et leur vis.
11. Régler le pare-étincelles (A) à 1,6 mm (1/16 po) de la meule et bien le serrer.
12. Régler l'appui (D) à 3,18 mm (1/8 po) de la meule et bien le serrer.
13. Régler l'écran protecteur (B) de sorte qu'il se trouve entre les yeux de l'utilisateur et la meule. On peut alors se servir de la meuleuse d'établi.
14. Respecter les consignes précédentes pour installer des meules de polissage, des brosses métalliques et des meules.

Réparations

Pour assurer la SÉCURITÉ et la FIABILITÉ du produit, les réparations, l'entretien et les réglages doivent être réalisés (cela comprend l'inspection et le remplacement du balai) par un centre de réparation en usine DEWALT, un centre de réparation agréé DEWALT ou par d'autres techniciens qualifiés. Toujours utiliser des pièces de rechange identiques.

Garantie limitée de trois ans

DEWALT réparera, sans frais, tout produit défectueux causé par un défaut de matériel ou de fabrication pour une période de trois ans à compter de la date d'achat. La présente garantie ne couvre pas les pièces dont la défectuosité a été causée par une usure normale ou l'usage abusif de l'outil. Pour obtenir de plus amples renseignements sur les pièces ou les réparations couvertes par la présente garantie, visiter le site www.dewalt.com ou composer le 1 800 433-9258 (1 800 4-DEWALT). Cette garantie ne s'applique pas aux accessoires et ne vise pas les dommages causés par des réparations effectuées

par un tiers. Cette garantie confère des droits légaux particuliers à l'acheteur, mais celui-ci pourrait aussi bénéficier d'autres droits variant d'un état ou d'une province à l'autre.

En plus de la présente garantie, les outils DEWALT sont couverts par notre :

CONTRAT D'ENTRETIEN GRATUIT D'UN AN

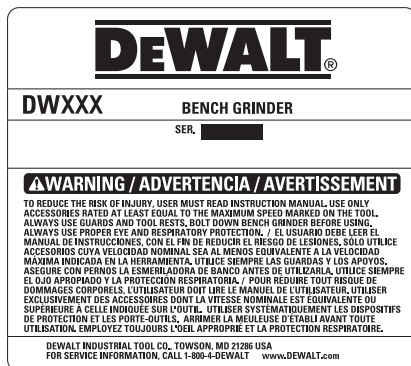
DEWALT entretiendra l'outil et remplacera les pièces usées au cours d'une utilisation normale et ce, gratuitement, pendant une période d'un an à compter de la date d'achat.

GARANTIE DE SATISFACTION DE 30 JOURS OU ARGENT REMIS

Si, pour quelque raison que ce soit, l'outil industriel de service intensif DEWALT ne donne pas entière satisfaction, il suffit de le retourner chez le marchand participant dans les 30 jours suivant la date d'achat afin d'obtenir un remboursement complet. Il faut retourner, port payé, l'outil complet. On peut exiger une preuve d'achat.

AMÉRIQUE LATINE : cette garantie ne s'applique aux produits vendus en Amérique latine. Pour ceux-ci, veuillez consulter les informations relatives à la garantie spécifique présente dans l'emballage, appeler l'entreprise locale ou consulter le site Web pour les informations relatives à cette garantie.

REPLACEMENT GRATUIT DES ÉTIQUETTES D'AVERTISSEMENT : si les étiquettes d'avertissement deviennent illisibles ou sont manquantes, composer le 1 800 433-9258 (1 800 4-DEWALT) pour en obtenir le remplacement gratuit.



MODÈLE DW756

MEULES

Face de 16 mm (5/8 po), diam. de 152 mm (6 po), 60 grains	4 136 trs/min
Face de 19 mm (3/4 po), diam. de 152 mm (6 po), 60 grains	4 136 trs/min
Face de 16 mm (5/8 po), diam. de 152 mm (6 po), 36 grains	4 136 trs/min

VITESSE NOMINALE

Face de 13 mm (1/2 po), diam. de 152 mm (6 po), 60 grains 3 825 trs/min

MEULES DE POLISSAGE

Face de 16 mm (5/8 po), diam. de 152 mm (6 po), coton 3 600 trs/min

BROSSES MÉTALLIQUES

Arbre de 13 mm (1/2 po), face de 16 mm (5/8 po), diam. de 152 mm (6 po) 3 600 trs/min

MODÈLE DW758

MEULES

Face de 22 mm (7/8 po) et de 25 mm (1 po), diam. de 200 mm (8 po), 60 grains 3 600 trs/min

Face de 22 mm (7/8 po) et de 25 mm (1 po), diam. de 200 mm (8 po), 36 grains 3 600 trs/min

MEULES DE POLISSAGE

Arbre de 16 mm (5/8 po), diam. de 200 mm (8 po), coton 3 600 trs/min

BROSSES MÉTALLIQUES

Arbre de 16 mm (5/8 po), face de 16 mm (5/8 po) et de 32 mm (1 1/4 po), diam. de 200 mm (8 po) 3 600 trs/min

VITESSE NOMINALE

Français

Definiciones: Normas de seguridad

Las siguientes definiciones describen el nivel de gravedad de cada palabra de señal. Lea el manual y preste atención a estos símbolos.

⚠ PELIGRO: indica una situación de peligro inminente que, si no se evita, provocará **la muerte o lesiones graves**.

⚠ ADVERTENCIA: indica una situación de peligro potencial que, si no se evita, **podría provocar la muerte o lesiones graves**.

⚠ ATENCIÓN: indica una situación de peligro potencial que, si no se evita, **posiblemente provocaría lesiones leves o moderadas**.

AVISO: se refiere a una práctica **no relacionada a lesiones corporales** que de no evitarse **puede resultar en daños a la propiedad**.

SI TIENE ALGUNA DUDA O ALGÚN COMENTARIO SOBRE ÉSTA U OTRA HERRAMIENTA DEWALT, LLÁMENOS AL NÚMERO GRATUITO: **1-800-4-DeWALT (1-800-433-9258)**.



ADVERTENCIA: Para reducir el riesgo de lesiones, lea el manual de instrucciones.

Instrucciones importantes de seguridad

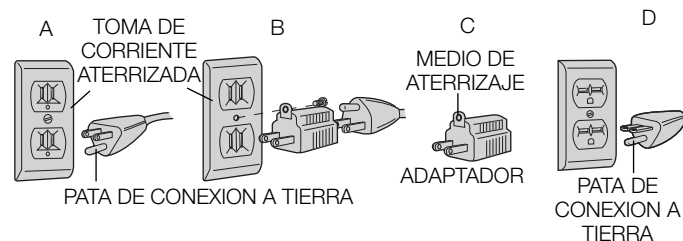


¡ADVERTENCIA! Lea todas las advertencias de seguridad e instrucciones. El incumplimiento de las advertencias e instrucciones puede provocar descargas eléctricas, incendios o lesiones graves.

LEA TODAS LAS INSTRUCCIONES

Instrucciones de aterrizaje

Esta herramienta debe conectarse a tierra para proteger al operador de choques eléctricos. Esta unidad está equipada con un cordón eléctrico de tres hilos aprobado y una clavija para aterrizaje de tres patas para conectarse a la toma de corriente adecuada. El conductor verde (o verde y amarillo) es el cable de tierra. Nunca conecte el cable verde (o verde y amarillo) a una terminal viva. Si su unidad está hecha para funcionar con menos de 150 volts, tiene una clavija similar a la que se muestra en la figura A. Si es para usarse con corriente de 150 a 250 volts, tiene una clavija como la que se muestra en la figura D. Hay adaptadores, figuras B y C, para conectar clavijas del tipo de la figura A a tomas de corriente para dos patas. La oreja de color verde deberá conectarse a tierra permanente, tal como una toma de corriente aterrizada adecuadamente. No hay adaptadores para clavijas como la de la figura D. EL ADAPTADOR MOSTRADO EN LAS FIGURAS B Y C NO ESTA HECHO PARA USARSE EN CANADÁ.



Instrucciones de seguridad para todas las herramientas

- **CONSERVE LIMPIA LA ZONA DE TRABAJO.** Las superficies y los bancos con objetos acumulados en desorden propician los accidentes.
- **OTORQUE PRIORIDAD A LA ZONA DE TRABAJO.** No deje las herramientas eléctricas expuestas a la lluvia. No las utilice en lugares inundados o mojados. Conserve bien iluminada la zona de trabajo. No utilice la herramienta en presencia de gases o líquidos inflamables.
- **PROTÉJASE CONTRA EL CHOQUE ELÉCTRICO.** Evite el contacto corporal con superficies aterrizadas, por ejemplo, tuberías, radiadores, antenas y gabinetes de refrigeración.
- **CONSERVE APARTADOS A LOS NIÑOS.** No permita que los visitantes toquen las herramientas o los cables de extensión. Los visitantes deben estar alejados de la zona de trabajo.
- **GUARDE LAS HERRAMIENTAS QUE NO EMPLEE.** Las herramientas que no se están utilizando deben guardarse en un lugar seco y elevado o bajo llave fuera del alcance de los niños.
- **NO FUERCE LA HERRAMIENTA.** Esta cumplirá su función mejor y con más seguridad bajo las especificaciones para las que se diseñó.
- **EMPLEE LA HERRAMIENTA ADECUADA.** No fuerce a una herramienta pequeña o a sus dispositivos de montaje en un trabajo de tipo pesado. No emplee la herramienta en una tarea para la que no se diseñó.
- **VÍSTASE DE LA MANERA ADECUADA.** No use ropas o artículos de joyería flojos, pues podrían quedar atrapados por las partes móviles de las herramientas. Se recomienda el empleo de

guantes de caucho y calzado antiderrapante cuando se trabaje al aire libre. Cúbrase bien la cabeza para sujetarse el cabello si lo tiene largo.

- **COLÓQUESE ANTEOJOS DE SEGURIDAD.** Póngase también una mascarilla contra el polvo si lo produce la operación que va a efectuar.
- **NO MALTRATE EL CABLE.** Nunca levante la herramienta tomándola por el cable, ni tire de éste para desconectarlo del enchufe. Apártelo del calor y los objetos calientes, las sustancias grasosas y los bordes cortantes.
- **SUJETE LOS OBJETOS SOBRE LOS QUE TRABAJE.** Utilice prensas o tornillos de banco para sujetar los objetos sobre los que va a trabajar. Esto ofrece mayor seguridad que sujetar los objetos con la mano, y además deja libres ambas manos para operar la herramienta.
- **NO SE SOBREEXTIENDA.** Conserve en todo momento bien apoyados los pies, lo mismo que el equilibrio.
- **CUIDE SUS HERRAMIENTAS.** Conserve sus herramientas afiladas y limpias para que funcionen mejor y con mayor seguridad. Siga las instrucciones para lubricación y cambio de accesorios de su unidad. Revise periódicamente el cordón eléctrico y hágalo reparar o reemplazar por un centro de servicio si está dañado. Cambie los cordones de extensión si están dañados. Conserve las empuñaduras secas, limpias y libres de aceite y grasa.
- **DESCONECTE Y APAGUE LAS HERRAMIENTAS** cuando no las use, antes de darles servicio y cuando cambie accesorios, tales como discos, brocas y otros dispositivos de corte.
- **RETIRE LAS LLAVES DE AJUSTE Y DE TUERCAS.** Adquiera el hábito de asegurarse que se han retirado las llaves de ajuste de las herramientas antes de accionarlas.

- **EVITE QUE LA HERRAMIENTA SE ACCIONE ACCIDENTALMENTE.** Nunca sostenga una herramienta que está conectada con el dedo en el interruptor. Asegúrese que el interruptor está en posición de “apagado” antes de conectar la unidad.
- **CABLES DE EXTENSIÓN.** Solamente utilice extensiones de tres cables con clavijas de tres patas para conexión a tierra, y tomas de corriente con tres ranuras que acepten estas clavijas. **NO INTENTE REPARAR EL CORDÓN ELÉCTRICO.** Asegúrese que su extensión esté en buenas condiciones. Cuando utilice un cordón de extensión, asegúrese de emplear uno con el calibre suficiente para soportar la corriente necesaria para su producto. Una extensión con calibre menor al necesario causará una caída en el voltaje de la línea, resultando en pérdida de potencia y sobrecalentamiento. El cuadro siguiente muestra los calibres correctos para usarse de acuerdo con la longitud de la extensión y el amperaje especificado. Si tiene dudas, utilice el calibre siguiente, más pesado. Cuanto más pequeño el número de calibre del alambre, mayor la capacidad del cable.

Calibre mínimo para cables de alimentación						
Amperaje		Voltios	Largo total del cordón en metros (pies)			
		120 V	7,6 (25)	15,2 (50)	30,5 (100)	45,7 (150)
		240 V	15,2 (50)	30,5 (100)	61,0 (200)	91,4 (300)
Más de	No más de	AWG				
0	6		18	16	16	14
6	10		18	16	14	12
10	12		16	16	14	12
12	16		14	12	No recomendado	

- **CORDONES DE EXTENSIÓN PARA INTEMPERIE.** Cuando trabaje a la intemperie, utilice siempre cordones de extensión diseñados exclusivamente para esta finalidad.
- **NO SE DISTRAIGA.** Concéntrese en lo que está haciendo. Recorra al sentido común. No opere ninguna herramienta si se encuentra fatigado.
- **VERIFIQUE LAS PARTES DAÑADAS.** Antes de seguir empleando cualquier herramienta, es indispensable verificar con mucho cuidado que las guardas u otras partes dañadas puedan operar de la manera adecuada para cumplir con su función. Verifique la alineación de las partes móviles, la firmeza con que deben encontrarse sujetas en sus montaduras, las partes rotas, las propias montaduras y cualesquiera otros detalles que pudieran afectar a la operación de la herramienta. Las guardas y las otras partes que se encuentren dañadas deberán repararse bien o cambiarse en un centro de servicio autorizado, a menos que se diga otra cosa en el manual del usuario. Haga que se cambien los interruptores dañados en un centro de servicio autorizado. No emplee ninguna herramienta que tenga inutilizado o estropeado el interruptor.
- **MANTENGA LOS PROTECTORES EN SU SITIO** y en buen estado.
- **UTILICE LOS ACCESORIOS RECOMENDADOS.** Consulte el manual del propietario para obtener información sobre los accesorios recomendados. El uso de accesorios incorrectos puede ocasionar riesgo de lesiones corporales.
- **NO SE PARE NUNCA ENCIMA DE LA HERRAMIENTA.** Podría sufrir graves lesiones si se inclina la herramienta o si la herramienta de corte se toca sin querer.

Instrucciones adicionales de seguridad para esmeriladoras

- **UTILICE SIEMPRE LOS PROTECTORES Y LAS CUBIERTAS DE PROTECCIÓN OCULAR. AL ESMERILAR, MANTENGA SIEMPRE LOS PROTECTORES EN SU SITIO.**

- Utilice únicamente piedras de esmeril cuya velocidad máxima de operación sea por lo menos tan alta como la velocidad sin carga marcada en la placa de identificación de la herramienta. Utilice solamente discos de esmerilado adecuados para la velocidad de la esmeriladora.
- Utilice solo las pestañas suministradas con la esmeriladora.
- Ajuste la distancia entre el disco y el apoyo de la pieza de trabajo para mantener una separación de 3,18 mm (1/8") o menos puesto que el diámetro del disco disminuye con el uso.
- Antes de usar un accesorio recomendado, inspecciónelo en busca de cuarteaduras. Si tal cuarteadura es evidente, deseche el accesorio. **POR NINGÚN MOTIVO UTILICE UNA PIEDRA DE ESMERIL CUARTEADA.**
- Al encender la herramienta, déjela funcionar durante un minuto. Nunca encienda la herramienta cuando haya personas paradas en línea con ella, incluyendo al propio operador.
- No esmerile por los lados de las piedras de esmeril a menos que estén diseñadas específicamente para este propósito.
- No apriete demasiado la tuerca hexagonal, ya que podría rajarse el disco de esmerilado.
- Limpie la cavidad que circunda la piedra de esmeril periódicamente.

⚠ADVERTENCIA: Use **SIEMPRE** lentes de seguridad. Los anteojos de diario **NO SON** lentes de seguridad. Utilice además una cubrebocas o mascarilla antipolvo si la operación de corte genera demasiado polvo. **SIEMPRE LLEVE EQUIPO DE SEGURIDAD CERTIFICADO:**

- Protección ocular ANSI Z87.1 (CAN/CSA Z94.3),
- Protección auditiva ANSI S12.6 (S3.19),
- Protección respiratoria NIOSH/OSHA/MSHA.

⚠ADVERTENCIA: Use **SIEMPRE** lentes de seguridad. Los anteojos de diario **NO SON** lentes de seguridad. Utilice además una cubrebocas o mascarilla antipolvo si la operación de corte genera demasiado polvo. **SIEMPRE LLEVE EQUIPO DE SEGURIDAD CERTIFICADO:**

- Protección ocular ANSI Z87.1 (CAN/CSA Z94.3),
- Protección auditiva ANSI S12.6 (S3.19),
- Protección respiratoria NIOSH/OSHA/MSHA.

⚠ADVERTENCIA: Algunas partículas de polvo generadas al lijar, serrar, esmerilar y taladrar con herramientas eléctricas, así como al realizar otras actividades de construcción, contienen químicos que el Estado de California sabe que pueden producir cáncer, defectos congénitos u otras afecciones reproductivas. Ejemplos de estos químicos son:

- plomo de algunas pinturas en base a plomo,
- polvo de sílice proveniente de ladrillos y cemento y otros productos de albañilería, y
- arsénico y cromo provenientes de madera tratada químicamente.

Su riesgo de exposición a estos químicos varía, dependiendo de la frecuencia con la cual realiza usted este tipo de trabajo. Para reducir su exposición a estas sustancias químicas: trabaje en una zona bien ventilada y llevando equipos de seguridad aprobados, como mascarillas antipolvo especialmente diseñadas para filtrar partículas microscópicas.

- **Evite el contacto prolongado con polvo generado por el lijado, aserrado, pulido, taladrado y otras actividades de construcción. Vista ropas protectoras y lave las áreas de**

la piel expuestas con agua y jabón. Si permite que el polvo se introduzca en la boca u ojos o quede sobre la piel, puede favorecer la absorción de productos químicos peligrosos.

⚠ADVERTENCIA: La utilización de esta herramienta puede generar polvo o dispersarlo, lo que podría causar daños graves y permanentes al sistema respiratorio, así como otras lesiones. Siempre use protección respiratoria aprobada por NIOSH (Instituto Nacional de Seguridad y Salud en el Trabajo) u OSHA (Administración de Seguridad y Salud en el Trabajo) apropiada para la exposición al polvo. Dirija las partículas en dirección contraria a la cara y el cuerpo.

⚠ADVERTENCIA: Siempre lleve la debida protección auditiva personal en conformidad con ANSI S12.6 (S3.19) durante el uso de esta herramienta. Bajo algunas condiciones y duraciones de uso, el ruido producido por este producto puede contribuir a la pérdida auditiva.

- La etiqueta de su herramienta puede incluir los siguientes símbolos.

A continuación se indican los símbolos y sus definiciones:

V.....voltios	A..... amperios
Hz.....hertz	W..... vatios
minminutos	~ o AC..... corriente alterna
—=— o DC....corriente directa	⎓ o AC/DC... corriente alterna o directa
⚠.....Construcción de Clase I (tierra)	n..... velocidad nominal
□.....Construcción de Clase II (doble aislamiento)	n _o velocidad sin carga
.../minpor minuto	⊕..... terminal de conexión a tierra
IPM.....impactos por minuto	
sfp _mpies de superficie por minuto	

RPM.....revoluciones por minuto	⚠..... símbolo de advertencia de seguridad
BPM.....golpes por minuto	
SPM.....pasadas por minuto	

GUARDE ESTAS INSTRUCCIONES PARA FUTURAS CONSULTAS

Motor

Asegúrese de que la fuente de energía concuerde con lo que se indica en la placa. Un descenso en el voltaje de más del 10% producirá una pérdida de potencia y sobrecalentamiento. Todas las herramientas DEWALT son probadas en fábrica; si esta herramienta no funciona, verifique el suministro eléctrico.

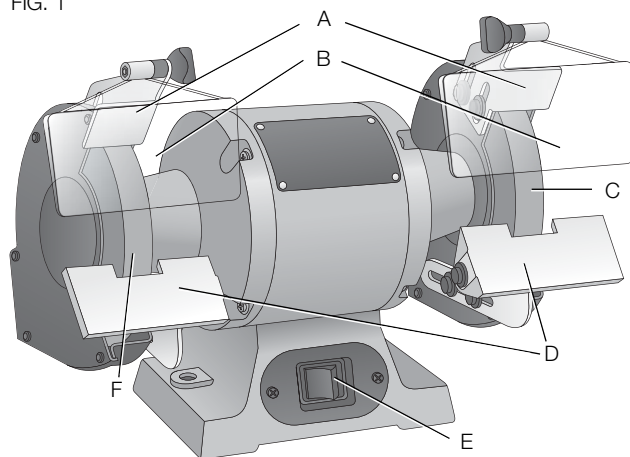
COMPONENTES (Fig. 1)

⚠ADVERTENCIA: Nunca modifique la herramienta eléctrica, ni tampoco ninguna de sus piezas. Podría producir lesiones corporales o daños.

- | | |
|---|--|
| A. Protectores contra chispas | D. Pedestales de descanso |
| B. Cubiertas de protección ocular | E. Interruptor (ENCENDIDO/APAGADO) |
| C. Piedra de esmeril grano medio (grano 60) | F. Piedra de esmeril grano grueso (grano 36) |

	Esmeriladora de banco	Eje	RPM
DW756	152 mm (6")	13 mm (1/2")	3450
DW758	200 mm (8")	16 mm (5/8")	3600

FIG. 1



MONTAJE Y AJUSTES

⚠ ADVERTENCIA: Para reducir el riesgo de lesiones personales graves, apague la herramienta y desconéctela de la fuente de alimentación antes de instalar y retirar accesorios, ajustar o cambiar configuraciones o realizar reparaciones. Un arranque accidental podría causar lesiones.

Montaje en el banco

1. Apague y desconecte la esmeriladora
2. Saque la plantilla de taladrado de este manual (página 36) y colóquela en su sitio en el banco. Compruebe la disponibilidad de suministro eléctrico para la esmeriladora. Sujete con cinta adhesiva la plantilla al banco.

3. Marque los centros para los orificios mostrados en la plantilla.
4. Taladre las perforaciones del tamaño adecuado en los lugares que marcó anteriormente.
5. Inserte los pernos hexagonales M8 a través de las arandelas y los orificios. Puede utilizar roldanas por la parte inferior del banco también.
6. Apriete las tuercas. Tenga cuidado de no comprimir demasiado las patas de goma cuando apriete los tornillos. Si quedan comprimidas, las patas no podrán cumplir la función de absorber las vibraciones.

Instalación de los pedestales de descanso (Fig. 2)

Hay un pedestal de descanso para el lado izquierdo y otro para el lado derecho. Fije primero el pedestal de descanso (D) al soporte (G) utilizando el perno hexagonal (H), la arandela de resorte (I), la arandela plana (J), la arandela dentada externa (K) y la tuerca (M).

Para la DW756, se necesitan un separador (L) y arandela dentada externa (K) adicionales, como se muestra en la Figura 2.

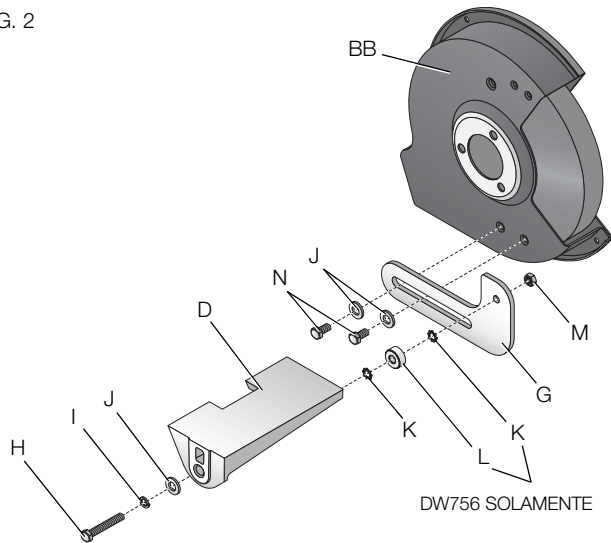
Luego, para la DW756 y la DW758, fije la unidad del soporte/pedestal de descanso al protector del disco (BB) utilizando los dos pernos 1/4"-20UNC (N) y dos arandelas planas (J).

Continúe instalando el otro pedestal de descanso siguiendo el mismo procedimiento descrito.

⚠ PRECAUCIÓN: Los pernos más largos pueden afectar el movimiento del disco de esmerilado.

NOTA: Cuando estén utilizándose, los pedestales de descanso deben ajustarse a 3,18 mm (1/8 de pulg.) del disco de esmerilado o de otro accesorio que esté usándose.

FIG. 2



Español

Instalación de los protectores contra chispas (Fig. 3)

Los protectores contra chispas (A) se identifican con una "L" para el izquierdo y una "R" para el derecho. Consulte la Figura 3 para instalar el protector contra chispas en el protector de disco (BB) utilizando los dos pernos (O) y arandelas planas (J). Ajuste el borde del protector contra chispas a 1,6 mm (1/16 de pulg.) del disco de esmerilado o de otro accesorio. Ajuste bien los dos pernos (O).

Continúe instalando el otro protector contra chispas siguiendo el mismo procedimiento descrito.

Instalación de las cubiertas de protección ocular (Fig. 4)

⚠ADVERTENCIA: Las cubiertas de protección ocular no están diseñadas para reemplazar a las lentes de seguridad.

Instale las cubiertas de protección ocular (B) (encajarán en cualquiera de los lados) en los soportes, como se muestra en la Figura 4. Atornille la perilla de plástico (P) a través de la arandela (Q), el protector contra chispas (A), el separador (R), la cubierta de protección ocular (B) y por último la tuerca (S). Ajuste las cubiertas de protección ocular de forma que se sitúen entre los discos y sus ojos.

Continúe instalando la otra cubierta de protección ocular siguiendo el mismo procedimiento descrito.

Ajuste las cubiertas en su sitio apretando la perilla de plástico (P) en la unidad de soporte. Retire la película protectora.

FIG. 3

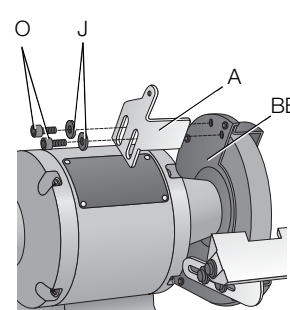
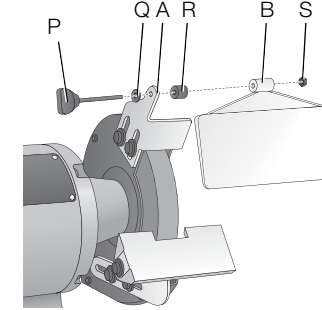


FIG. 4



OPERACIÓN

⚠ ADVERTENCIA: Para reducir el riesgo de lesiones personales graves, apague la herramienta y desconéctela de la fuente de alimentación antes de instalar y retirar accesorios, ajustar o cambiar configuraciones o realizar reparaciones. Un arranque accidental podría causar lesiones.

⚠ ATENCIÓN: El esmerilado durante periodos prolongados provocará que la mayoría de los materiales se calienten. Manipúlelos con pinzas o con guantes gruesos.

⚠ ATENCIÓN: No intente nunca utilizar su esmeriladora de banco a menos que esté bien asegurada con pernos a un banco de trabajo o un marco rígido que a su vez esté fijado firmemente al piso.

- Antes de encender la esmeriladora, colóquese sus gafas de seguridad.
- Permita que alcance la máxima velocidad (3450 RPM - DW756, 3600 RPM - DW758) antes de esmerilar.
- Sujete firmemente al pieza de trabajo y contra el apoyo de la herramienta.
- Sujete las piezas muy pequeñas con pinzas u otro medio de sujeción.
- Alimente la pieza con suavidad y de manera uniforme hacia la rueda de esmeril.
- Mueva la pieza lentamente y evite golpearla contra la rueda. Si la rueda tiende a bajar de velocidad, libere un poco de presión para permitir que la rueda alcance la velocidad máxima.
- Solamente esmerile con el frente de la rueda de esmeril, nunca con los lados. (Algunas ruedas están diseñadas para usar los lados, lo que estará indicado en las instrucciones.)

Interruptor (Fig. 1)

El interruptor (F) esta situado en el frente de la esmeriladora cerca de la parte inferior.

Para ENCENDER la herramienta, oprima el lado izquierdo del interruptor, cerca de la palabra ON.

Para APAGAR la herramienta, oprima el lado derecho del interruptor, cerca de la palabra OFF.

MANTENIMIENTO

⚠ ADVERTENCIA: Para reducir el riesgo de lesiones personales graves, apague la herramienta y desconéctela de la fuente de alimentación antes de instalar y retirar accesorios, ajustar o cambiar configuraciones o realizar reparaciones. Un arranque accidental podría causar lesiones.

Limpieza

⚠ ADVERTENCIA: Sopla la suciedad y el polvo de todos los conductos de ventilación con aire seco, al menos una vez por semana. Para reducir el riesgo de lesiones, utilice siempre protección para los ojos aprobada ANSI Z87.1 al realizar esta tarea.

⚠ ADVERTENCIA: Nunca utilice solventes ni otros químicos abrasivos para limpiar las piezas no metálicas de la herramienta. Estos productos químicos pueden debilitar los materiales plásticos utilizados en estas piezas. Utilice un paño humedecido sólo con agua y jabón neutro. Nunca permita que penetre líquido dentro de la herramienta ni sumerja ninguna de las piezas en un líquido.

Accesorios

⚠ ADVERTENCIA: Debido a que no se han probado con este producto otros accesorios que no sean los que ofrece DEWALT, el uso de dichos accesorios con esta herramienta podría ser peligroso. Para reducir el riesgo de lesiones, con este producto deben usarse sólo los accesorios recomendados por DEWALT.

Los discos de esmeril deben ajustarse a los límites del protector y deben estar clasificados para una velocidad superior a la marcada en la placa de características de la esmeriladora de banco.

Los accesorios que se recomiendan para utilizar con la herramienta están disponibles a un costo adicional en su distribuidor local o en un centro de mantenimiento autorizado. Si necesita ayuda para localizar algún accesorio, póngase en contacto con DEWALT Industrial Tool Co., 701 East Joppa Road, Towson, MD 21286, llame al 1-800-4-DEWALT (1-800-433-9258) o visite nuestro sitio Web: www.dewalt.com.

⚠️ ADVERTENCIA: Utilice siempre las guardas apropiadas y protección ocular cuando esmerile.

⚠️ ATENCIÓN: Las hebras de los cepillos de alambre pueden romperse y salir despedidas durante el trabajo. El usuario y las demás personas en el área deberán utilizar protección adecuada para ojos, cara y cuerpo. utilice únicamente cepillos de alambre especificados para una velocidad igual o mayor a las RPM señaladas en la placa de identificación de la herramienta.

⚠️ ATENCIÓN: El uso de cualquier accesorio no recomendado puede ser peligroso.

Cambio de accesorios (Fig. 2, 5, 6, 7)

Cambie los accesorios cuando los protectores contra chispas no pueda ajustarse más a 1,6 mm (1/16") de la piedra.

DW756 - utilice solamente piedras de esmeril de 152 mm (6") de diámetro. Esta herramienta tiene flechas de 13 mm (1/2") en ambos lados.

DW758 - utilice solamente piedras de esmeril de 200 mm (8") de diámetro. Esta herramienta tiene flechas de 16 mm (5/8") en ambos lados.

Siga los pasos enlistados a continuación para quitar y poner cualquier accesorio.

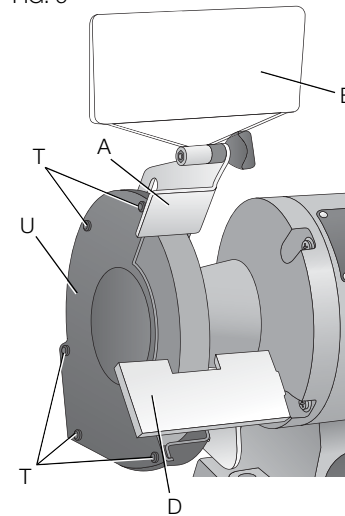
1. Levante la cubierta protectora para los ojos (B).
2. Afloje, pero no retire los pernos de los pedestales de descanso de la herramienta (H, Fig. 2) y tire del pedestal de descanso (D) hacia afuera lo más posible. No lo quite.

3. Afloje, pero no retire los pernos del protector contra chispas (O, Fig. 3) y tire del protector contra chispas (A) hacia afuera lo más posible. No la quite.
4. Retire los tornillos (T) de las cubiertas (U) de ambos lados y saque las cubiertas.

5. Con una llave española o un perico, sujete las dos tuercas hexagonales (V) que sujetan las piedras al eje (W) de cada lado de la herramienta (Fig. 6, 7). Para sacar el disco del lado izquierdo, gire la tuerca hexagonal (V) en dirección horaria mientras sujeta el otro estacionario. Para sacar el disco del lado derecho, gire la tuerca hexagonal (V) en dirección antihoraria mientras sujeta la otra estacionaria.

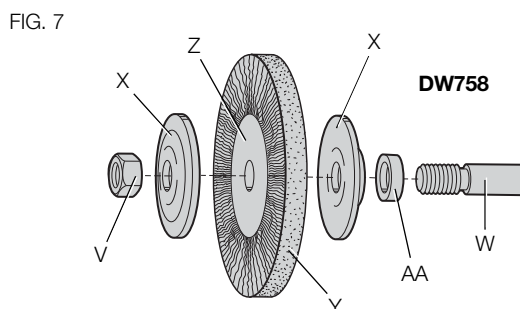
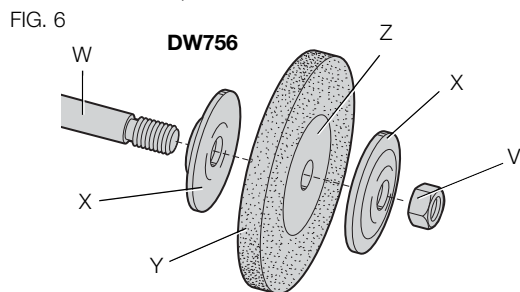
6. Quite la roldana (X) y la piedra (Y).
7. Revise la piedra en busca de fracturas, astilladuras o cualquier otro daño visible (que no sea desgaste) y descártelo si encuentra daños. Revise las roldanas de fieltro (Z) en busca de daños. Si faltan estas roldanas o están muy dañadas, reemplácelas con piezas de cartón delgado o papel secante que tengan la misma forma. **NUNCA UTILICE UNA RUEDA DE ESMERIL SIN UNA ROLDANA DE FIELTRO A CADA LADO.**
8. Instale la piedra nueva u otro accesorio (Y).

FIG. 5



Para la DW756 (Fig. 6), compruebe que las pestañas de los discos (X) estén en su sitio (la parte cóncava mirando hacia el disco).

Para la DW758 (Fig. 7), compruebe que los separadores (AA) y las pestañas de los discos (X) estén en su sitio (el lado cóncavo mirando hacia el disco).



9. Sujete ambas tuercas hexagonales (V) como antes y apriételas pero no demasiado. EL SOBREPRETAR PUEDE FRACTURAR UNA PIEDRA DE ESMERIL.
10. Vuelva a poner las cubiertas de los discos y sus tornillos.
11. Ajuste los protectores contra chispas (A) a 1,6 mm (1/16") del accesorio y apriete.
12. Ajuste el apoyo (D) de la esmeriladora a 3,18 mm (1/8") del accesorio y apriete con firmeza.
13. Ajuste la cubierta protectora para los ojos (C) a un punto entre sus ojos y el accesorio.
14. Siga los pasos anteriores para instalar ruedas para pulir y cepillos de alambre, al igual que para las piedras de esmeril.

Reparaciones

Para asegurar la SEGURIDAD y la CONFIABILIDAD del producto, las reparaciones, el mantenimiento y los ajustes deben (inclusive inspección y cambio de carbones) ser realizados en un centro de mantenimiento en la fábrica DEWALT, en un centro de mantenimiento autorizado DEWALT u por otro personal de mantenimiento calificado. Utilice siempre piezas de repuesto idénticas.

PARA REPARACIÓN Y SERVICIO DE SUS HERRAMIENTAS ELÉCTRICAS, FAVOR DE DIRIGIRSE AL CENTRO DE SERVICIO MÁS CERCANO

CULIACAN, SIN

Blvd.Emiliano Zapata 5400-1 Poniente
Col. San Rafael

(667) 717 89 99

GUADALAJARA, JAL

Av. La Paz #1779 - Col. Americana Sector Juárez

(33) 3825 6978

MEXICO, D.F.

Eje Central Lázaro Cárdenas No. 18
Local D, Col. Obrera

(55) 5588 9377

MERIDA, YUC

Calle 63 #459-A - Col. Centro

(999) 928 5038

MONTERREY, N.L.

Av. Francisco I. Madero 831 Poniente - Col. Centro

(818) 375 23 13

PUEBLA, PUE

17 Norte #205 - Col. Centro

(222) 246 3714

QUERETARO, QRO

Av. San Roque 274 - Col. San Gregorio

(442) 2 17 63 14

SAN LUIS POTOSI, SLP

Av. Universidad 1525 - Col. San Luis

(444) 814 2383

TORREON, COAH

Blvd. Independencia, 96 Pte. - Col. Centro

(871) 716 5265

VERACRUZ, VER

Prolongación Díaz Mirón #4280 - Col. Remes

(229) 921 7016

VILLAHERMOSA, TAB

Constitución 516-A - Col. Centro

(993) 312 5111

PARA OTRAS LOCALIDADES:**Si se encuentra en México, por favor llame al (55) 5326 7100****Si se encuentra en U.S., por favor llame al
1-800-433-9258 (1-800 4-DEWALT)****Póliza de Garantía**

IDENTIFICACIÓN DEL PRODUCTO:

Sello o firma del Distribuidor.

Nombre del producto: _____

Mod./Cat.: _____ Marca: _____

Núm. de serie: _____

(Datos para ser llenados por el distribuidor)

Fecha de compra y/o entrega del producto: _____

Nombre y domicilio del distribuidor donde se adquirió el producto:

Este producto está garantizado por un año a partir de la fecha de entrega, contra cualquier defecto en su funcionamiento, así como en materiales y mano de obra empleados para su fabricación. Nuestra garantía incluye la reparación o reposición del producto y/o componentes sin cargo alguno para el cliente, incluyendo mano de obra, así como los gastos de transportación razonablemente erogados derivados del cumplimiento de este certificado.

Para hacer efectiva esta garantía deberá presentar su herramienta y esta póliza sellada por el establecimiento comercial donde se adquirió el producto, de no contar con ésta, bastará la factura de compra.

EXCEPCIONES

Esta garantía no será válida en los siguientes casos:

- Cuando el producto se hubiese utilizado en condiciones distintas a las normales;
- Cuando el producto no hubiese sido operado de acuerdo con el instructivo de uso que se acompaña;
- Cuando el producto hubiese sido alterado o reparado por personas distintas a las enlistadas al final de este certificado.

Anexo encontrará una relación de sucursales de servicio de fábrica, centros de servicio autorizados y franquiciados en la República Mexicana, donde podrá hacer efectiva su garantía y adquirir partes, refacciones y accesorios originales.

Garantía limitada por tres años

DEWALT reparará, sin cargo, cualquier falla que surja de defectos en el material o la fabricación del producto, por hasta tres años a contar de la fecha de compra. Esta garantía no cubre fallas de las piezas causadas por su desgaste normal o abuso a la herramienta. Para mayores detalles sobre la cobertura de la garantía e información acerca de reparaciones realizadas bajo garantía, visítenos en www.dewalt.com.

dewalt.com o diríjase al centro de servicio más cercano. Esta garantía no aplica a accesorios o a daños causados por reparaciones realizadas o intentadas por terceros. Esta garantía le otorga derechos legales específicos, además de los cuales puede tener otros dependiendo del estado o la provincia en que se encuentre. Además de la garantía, las herramientas DEWALT están cubiertas por:

1 AÑO DE SERVICIO GRATUITO

DEWALT mantendrá la herramienta y reemplazará las piezas gastadas por su uso normal, sin cobro, en cualquier momento durante un año a contar de la fecha de compra. Los artículos gastados por la clavadora, tales como la unidad de hoja y retorno del impulsador, no están cubiertas.

GARANTIA DE SATISFACCION SIN RIESGO POR 30 DIAS

Si usted no se encuentra completamente satisfecho con el desempeño de su herramienta industrial DEWALT, sencillamente devuélvala a los vendedores participantes durante los primeros 30 días después de la fecha de compra para que le efectúen un reembolso completo. Por favor regrese la unidad completa, con el transporte pagado. Se puede requerir prueba de compra.

AMÉRICA LATINA: Esta garantía no se aplica a los productos que se venden en América Latina. Para los productos que se venden en América Latina, debe consultar la información de la garantía específica del país que viene en el empaque, llamar a la compañía local o visitar el sitio Web a fin de obtener esa información.

REEMPLAZO GRATUITO DE LAS ETIQUETAS DE ADVERTENCIAS: Si sus etiquetas de advertencia se vuelven ilegibles o faltan, llame al 1-800-4-DEWALT (1-800-433-9258) para que se le reemplacen gratuitamente.



SOLAMENTE PARA PROPÓSITO DE MÉXICO:
IMPORTADO POR: BLACK & DECKER S.A. DE C.V.
AVENIDA ANTONIO DOVALI JAIME, # 70 TORRE B PISO 9
COLONIA LA FE, SANTA FÉ
CÓDIGO POSTAL : 01210
DELEGACIÓN ALVARO OB REGÓN
MÉXICO D.F.
TEL. (52) 555-326-7100
R.F.C.: BDE810626-1W7

Para servicio y ventas consulte
"HERRAMIENTAS ELECTRICAS"
en la sección amarilla.



Español

ESPECIFICACIONES

	DW756	DW758
Tensión de alimentación	120 V CA	120 V CA
Potencia nominal	384 W	403 W
Frecuencia de operación	60 Hz	60 Hz
Consumo de corriente	4,0 A	4,2 A
RPM	3450	3600

DW756**PIEDRAS DE ESMERIL**

16 mm (5/8") canto, 152 mm (6") diá.
Piedra de esmeril grano 60
19 mm (3/4") canto, 152 mm (6") diá.
Piedra de esmeril grano 60
16 mm (5/8") canto, 152 mm (6") diá.
Piedra de esmeril grano 36
13 mm (1/2") canto, 152 mm (6") diá.
Piedra de esmeril grano 60

**VELOCIDAD MÁX.
SEGURA**

4136 RPM
4136 RPM
4136 RPM
3825 RPM

RUEDAS PARA PULIR

16 mm (5/8") canto, 152 mm (6") diá. Rueda
de algodón para pulir

3600 RPM

CEPILLOS DE ALAMBRE

13 mm (1/2") eje, 15,8 mm (5/8") canto,
152 mm (6") diá.

3600 RPM

DW758**PIEDRAS DE ESMERIL**

22 mm (7/8") y 25 mm (1") canto, 200 mm
(8") diá. Piedra de esmeril grano 60
22 mm (7/8") y 25 mm (1") canto, 200 mm
(8") diá. Piedra de esmeril grano 36

**VELOCIDAD MÁX.
SEGURA**

3600 RPM
3600 RPM

RUEDAS PARA PULIR

15,8 mm (5/8") canto, 200 mm (8") diá.
Rueda de algodón para pulir

3600 RPM

CEPILLOS DE ALAMBRE

16 mm (5/8") eje, 15,8 mm (5/8") y 32 mm
(1 1/4") canto, 200 mm (8") diá.

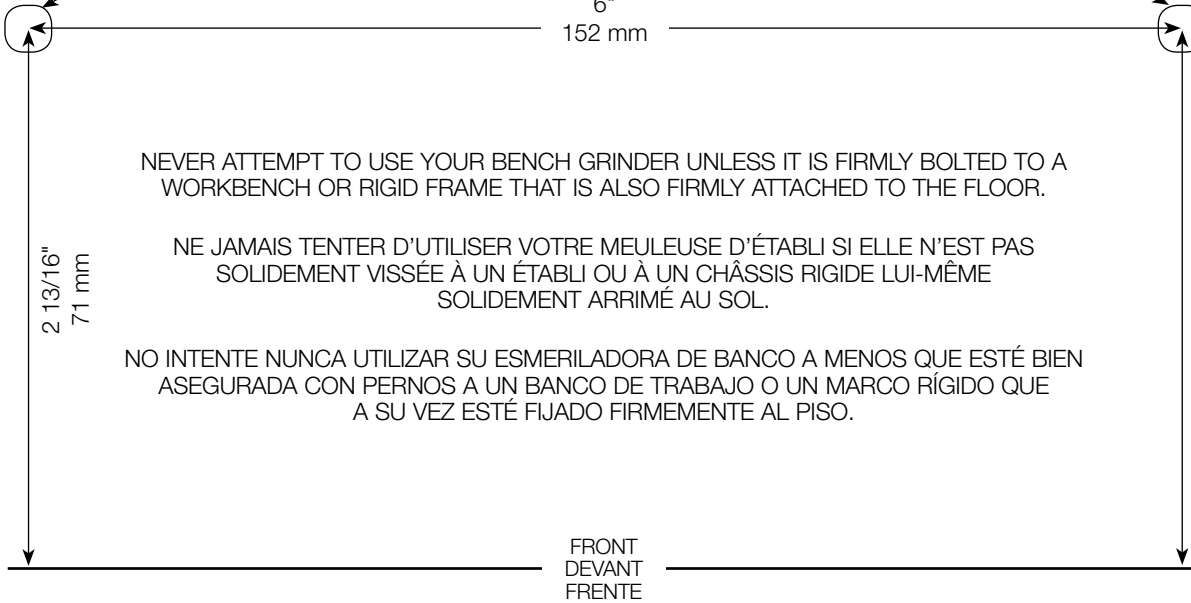
3600 RPM



Hole Sizes / Tailles des orifices / Tamaños de orificios

3/8" (9.5 mm)

CUT ALONG THIS LINE
DÉCOUPER LE LONG DU POINTILLÉ
CORTE A LO LARGO DE ESTA LÍNEA





DEWALT Industrial Tool Co., 701 East Joppa Road, Towson, MD 21286

(OCT14) Part No. N411717 DW756, DW758 Copyright © 1997, 2014 DEWALT

The following are trademarks for one or more DEWALT power tools: the yellow and black color scheme; the "D" shaped air intake grill; the array of pyramids on the handgrip; the kit box configuration; and the array of lozenge-shaped humps on the surface of the tool.