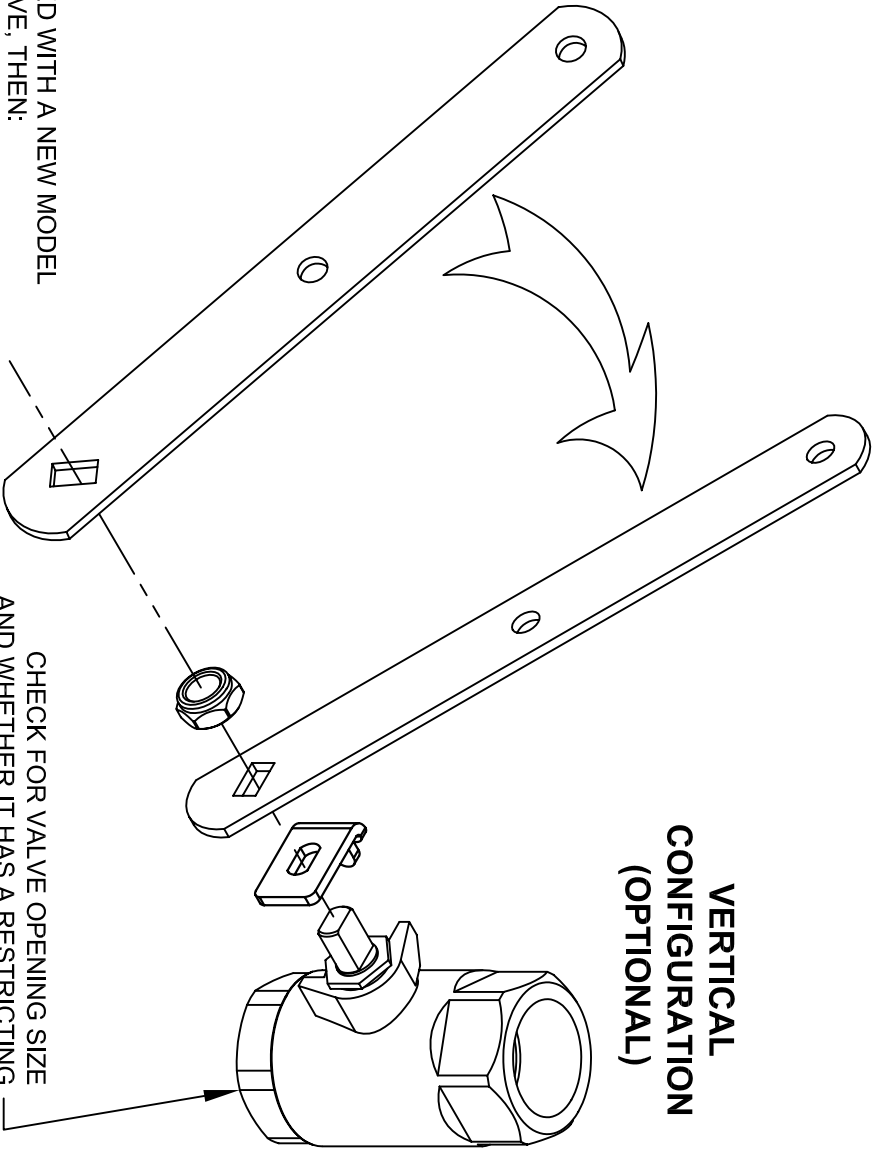


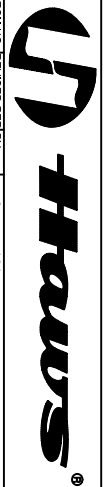
**HORIZONTAL CONFIGURATION  
(STANDARD)**



**VERTICAL CONFIGURATION  
(OPTIONAL)**

- NOTES:**
1. WHEN EXISTING SHOWER BALL VALVE NEEDS TO BE REPLACED WITH A NEW MODEL SP260 BALL VALVE, FIRST REMOVE AND CHECK OLD BALL VALVE, THEN:
    - OPTION 1:** IF IT HAS A FULL PORT BUT DOES NOT HAVE A BRASS RESTRICTING WASHER INSTALLED IN FRONT OF THE VALVE BALL, THEN JUST REPLACE IT.
    - OPTION 2:** IF IT HAS A FULL PORT AND A BRASS RESTRICTING WASHER INSTALLED IN FRONT OF THE VALVE BALL, THEN REUSE THE WASHER WHEN INSTALLING THE VALVE.
    - OPTION 3:** IF IT HAS A REDUCED PORT  $\varnothing(1/2")$ , THEN CALL HAWS TECHNICAL SUPPORT (1-800-766-5612) AND ASK FOR RESTRICTING WASHER.

2. FOR VERTICAL CONFIGURATION; REMOVE HANDLE, FLIP COMPLETELY TO OTHER SIDE AND REATTACH.



1455 KLEPPE LANE  
SPARKS, NEVADA 89431  
(775) 389-4712 FAX (759) 359-7424  
E-MAIL: HAWS@HAWS.CO.COM  
WEBSITE: WWW.HAWS.CO.COM

EQ# NO. REVISED PER BY:	MODEL(S)	PART NUMBER
DRAWING FILE:	SP260	0002080333
APPROVED:	1" BALL VALVE ASSEMBLY	DRAWING NO. REV
DATE:	INSTALLATION:	0002080333 4
SCALE: 1:1	DRAWING TYPE:	SIZE: A SHEET: 1 OF 1