

SH. 1  
OF 1

CAT NO

123-6

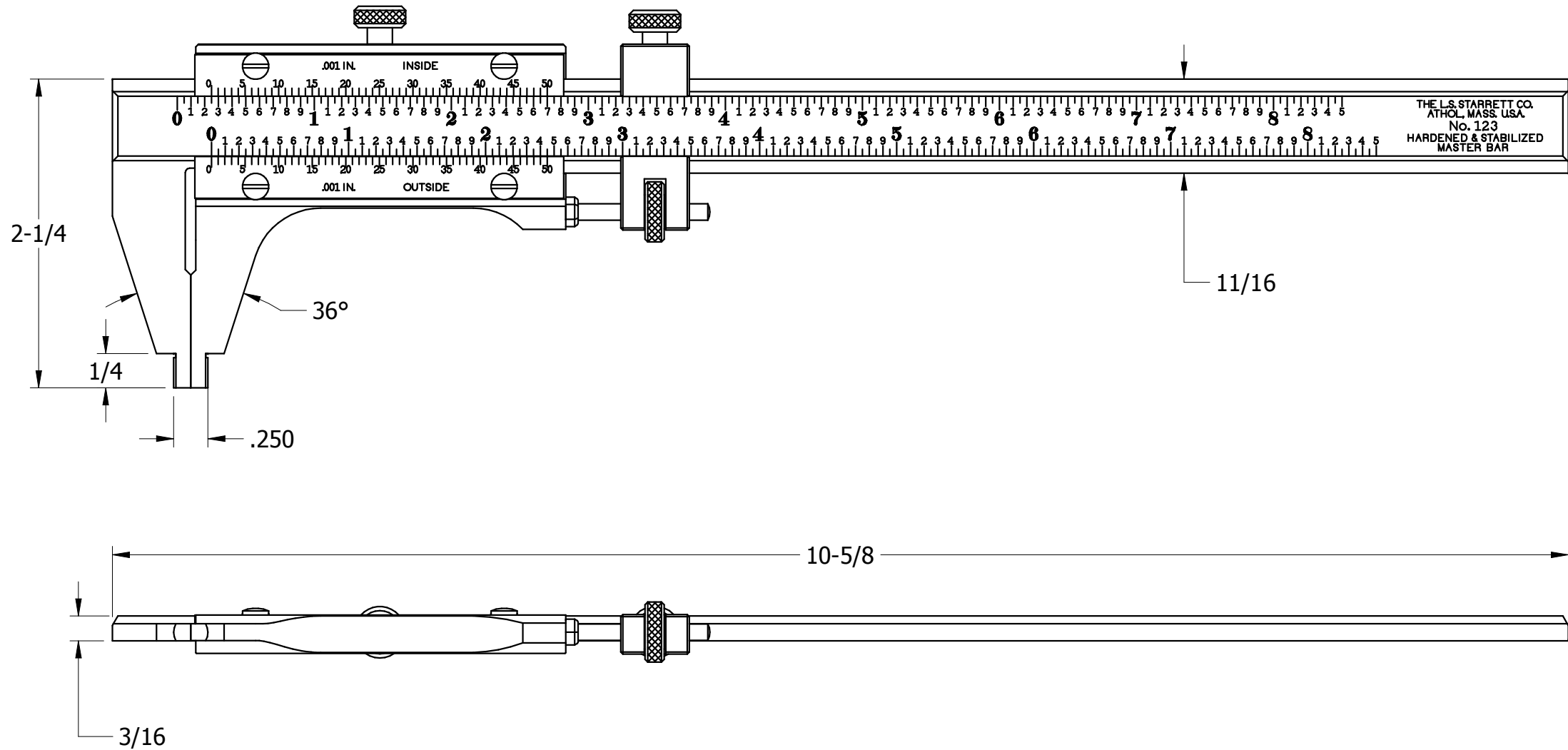
CUSTOMER DIMENSIONS

DO NOT  
SEPARATE  
PRINT FROM  
WORK

LOT NO

OPER

TOOLS



REV	DESCRIPTION	DATE	BY
DR	WRB	CHK	DATE

MASTER VERNIER  
ENGLISH CALIPER - 6"

THE L.S. STARRETT CO.  
ATHOL, MASS.

FRACTIONAL TOLERANCE +- 1/64 UNLESS OTHERWISE NOTED