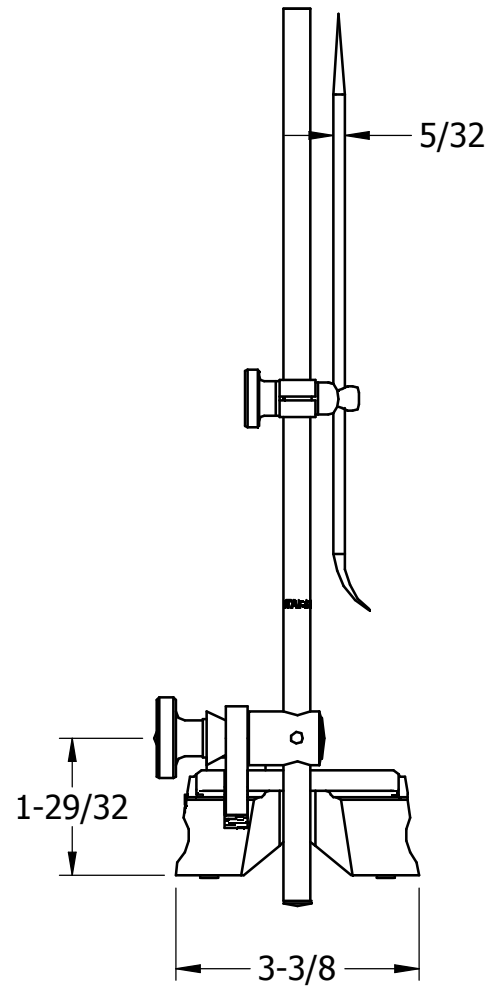
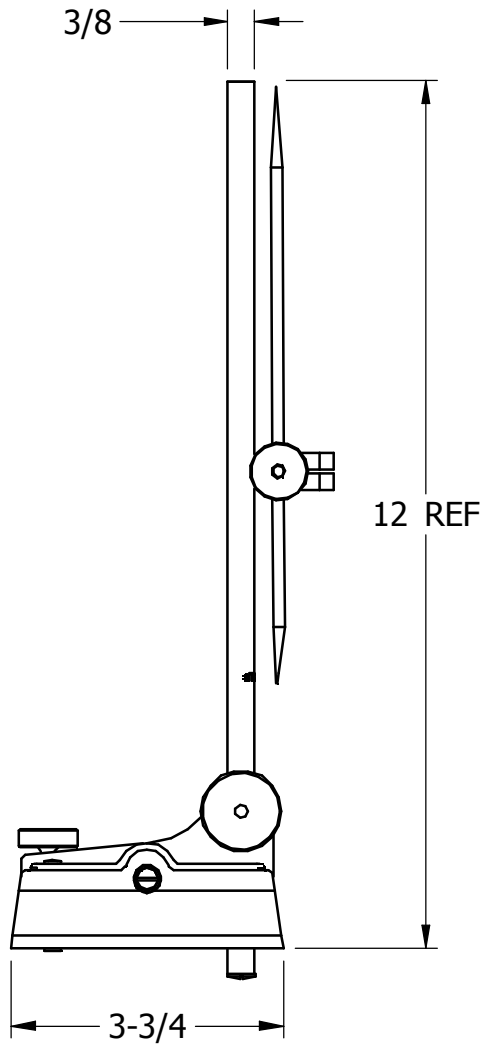
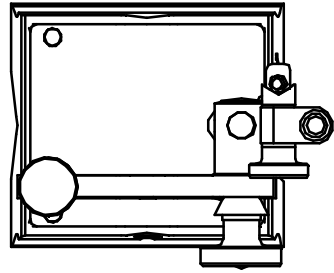


OPER

TOOLS



REV	DESCRIPTION	DATE	BY
DR	PRT	CHK	DATE

**SURFACE GAGE
ASSEMBLY**

THE L.S. STARRETT CO.
ATHOL, MASS.

FRACTIONAL TOLERANCE +/- 1/64 UNLESS OTHERWISE NOTED