

SH. 1
OF 1

CAT NO

715-2Z

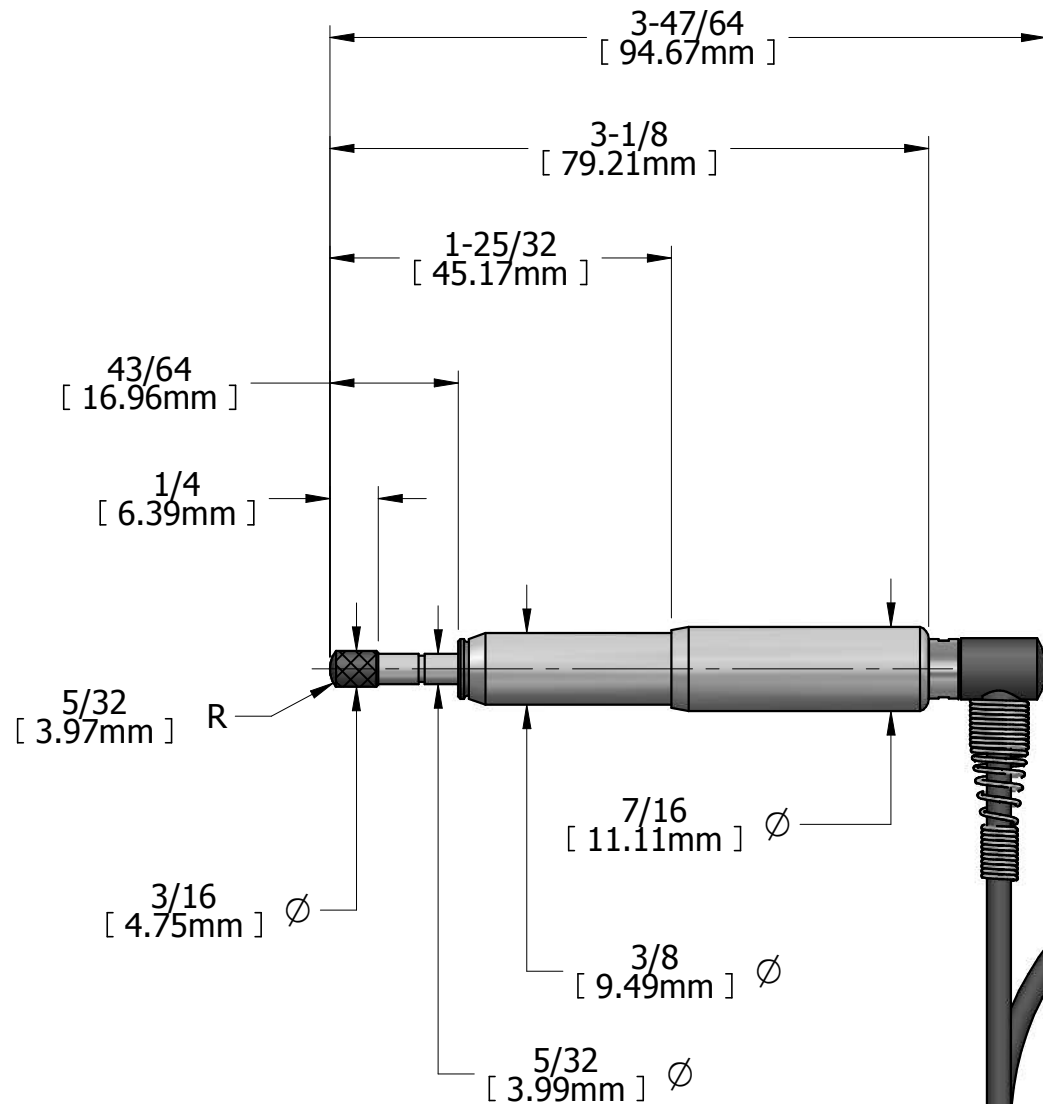
CUSTOMER DIMENSIONS

DO NOT
SEPARATE
PRINT FROM
WORK

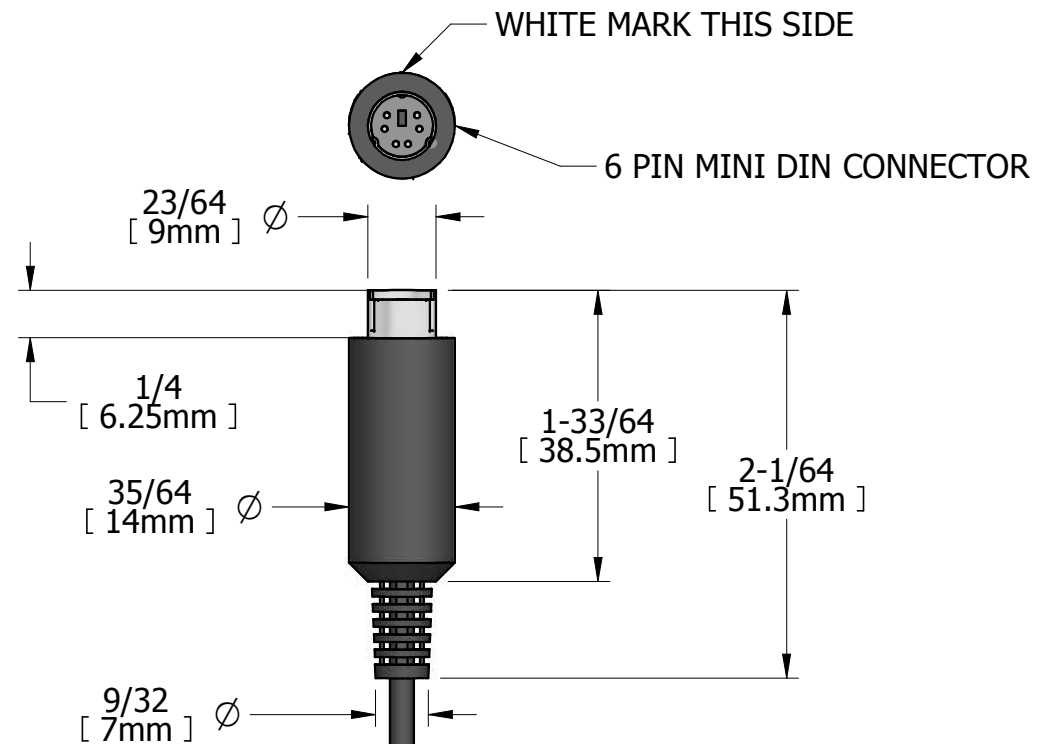
LOT NO

OPER

TOOLS



CORD 6 FT [1829 mm] LONG



WHITE MARK THIS SIDE

6 PIN MINI DIN CONNECTOR

REV	DESCRIPTION	DATE	BY

DR	KPH	CHK	DATE

TRANSDUCER GAGING HEAD
CARTRIDGE TYPE
ASSEMBLY

THE L.S. STARRETT CO.
ATHOL, MASS.

SHOWN WITH SPINDLE FULLY EXTENDED

FRACTIONAL TOLERANCE $\pm 1/64$ UNLESS OTHERWISE NOTED