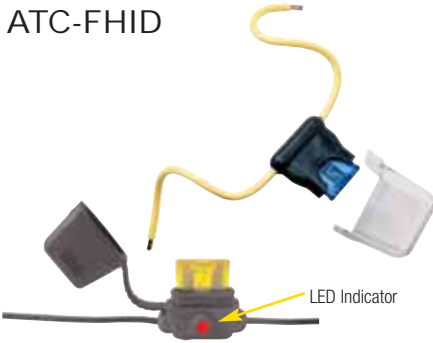


# Automotive Blade-type Fuse Holders

## HHC, HHD, HHF, HHG & ATC-FHID



easyID™ LED Indicating Holder

### Specifications

Description: In-line fuse holders for ATC® Blade-Type fuses.

Dimensions: See Dimensions illustration.

Ratings:

Volts: — 32Vdc

Amps: — 80% continuous of fuse rating. See Catalog Numbers table for individual fuses sizes.

### Catalog Numbers

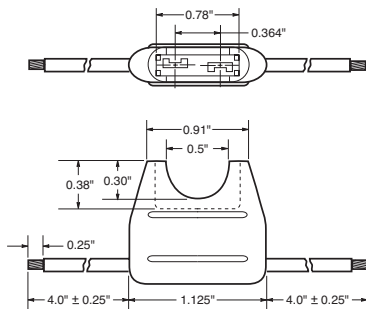
Catalog Numbers	Fuse Holder Description	Fuse Amps	Electrical Connection
HHC	Yellow	1-20	#16 black leadwire
HHD	Black	1-30	#12 yellow leadwire
HHD-C	HHD Cover only	—	Clear polycarbonate
HHF	Black w/ cover	1-20	#16 yellow leadwire
HHG	Black w/ cover	1-30	#12 yellow leadwire
ATC-FHID	Indicating Holder Black w/ cover	1-20	#16 black leadwire

### Bulk Products (Quantity - 1000 Pieces)

Catalog Numbers	Fuse Holder Description	Fuse Amps	Electrical Connection
BK/HHC-R	Yellow	1-20	#16 red leadwire
BK/HHF-B	Black w/ cover	1-20	#16 black leadwire

A fuse must be properly and fully inserted into the holder to provide a solid connection. Poor or improper insertion of the fuse can result in failure of the fuse and holder, thus not protecting the device for which it was intended.

### HHC & HHD Dimensions - in



Data Sheet: 2107

## HHL, HHM & ATM-FHID



easyID™ LED Indicating Holder

### Specifications

Description: In-line fuse holders for ATM Fuses.

Ratings:

Volts: — 32Vdc

Amps: — 80% continuous of fuse rating. See Catalog Numbers table for individual fuses sizes.

### Catalog Numbers

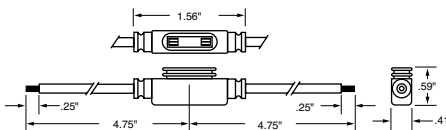
Catalog Numbers	Fuse Holder Description	Fuse Amps	Electrical Connection
HHL	Black w/ cover	2-20	#16 black leadwire, 4\" length stripped to 1/4\"
HHL-B	Black - body only	2-20	#16 black leadwire, 4\" length stripped to 1/4\"
HHM	Black w/ cover	2-30	#12 red leadwire, 4\" length stripped to 1/4\"
HHM-B	Black - body only	2-30	#12 red leadwire, 4\" length stripped to 1/4\"
HHM-C	Black - cover only	—	—
ATM-FHID	Indicating Holder Black w/ cover	1-20	#16 black leadwire

### Bulk Products (Quantity - 1000 Pieces)

Catalog Numbers	Fuse Holder Description	Fuse Amps	Electrical Connection
BK/HHL-R	Black - w/cover	2-20	#16 red leadwire, 4\" length stripped to 1/4\"
BK/HHL-B	Black - body only	2-20	#16 black leadwire, 4\" length stripped to 1/4\"

A fuse must be properly and fully inserted into the holder to provide a solid connection. Poor or improper insertion of the fuse can result in failure of the fuse and holder, thus not protecting the device for which it was intended.

### HHL & HHM Dimensions - in



Data Sheet: 2128

## HHX



### Specifications

Description: In-line fuse holders for MAXI® Fuses.

Ratings:

Volts: — 32Vdc

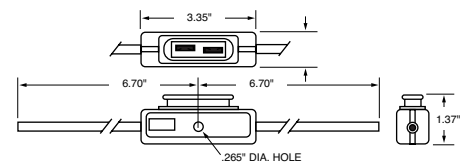
Amps: — 80% continuous of fuse rating. See Catalog Numbers table for individual fuses sizes.

### Catalog Numbers

Catalog Numbers	Fuse Holder Description	Fuse Amps	Electrical Connection
HHX	Black w/ cover	20-60	#6 red leadwire, 5\" with blunt ends
HHX-B	Black - body only	20-60	#6 red leadwire, 5\" with blunt ends
HHX-C	Black cover only	—	—

A fuse must be properly and fully inserted into the holder to provide a solid connection. Poor or improper insertion of the fuse can result in failure of the fuse and holder, thus not protecting the device for which it was intended.

### Dimensions - in



Data Sheet: 2129